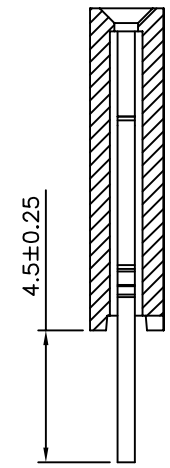
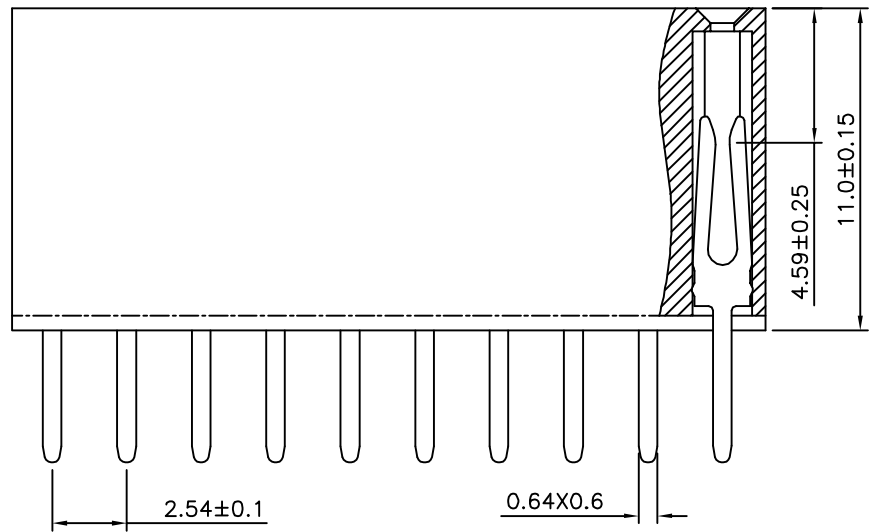
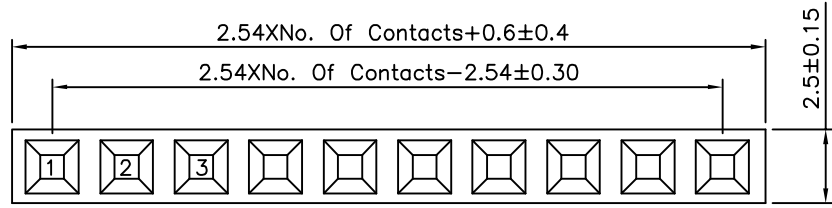


Recommended P.C.B. Layout(Top View)  
(PCB Board Tolerance±0.05)

**SPECIFICATION**  
 Current Rating:3A  
 Withstand Voltage:1000V AC  
 Contact Resistance:20 Milliohms Max.  
 Insulation Resistance:1000 Megohms Min.  
 Operating Temperature:-40°C~+105°C  
 Insulator:PBT(UL94V-0),Black  
 Contact:Brass,Gold Flash Over Nickel  
 RoHS Compliant



**4UCON** 元化興業股份有限公司  
4UCON TECHNOLOGY INC.

DRAWING No.		APPROVED BY		UNLESS OTHERWISE SPECIFIED TOLERANCES ARE
20660		EMILY		
		CHECKED BY		
		HZF		
		DRAWING BY		X: ±0.25 X: ±2°
		HAO		.X ±0.20 .X ±1.5°
				.XX ±0.15 .XX ±1°
				.XXX ±0.10 .XXX ±0.5°
SCALE	NONE	REV.	A0	UNIT
				mm

NO.	REV.	REVISIONS	CHK	DATE
△ A0		NEW RELEASE	HZF	07/13/2014