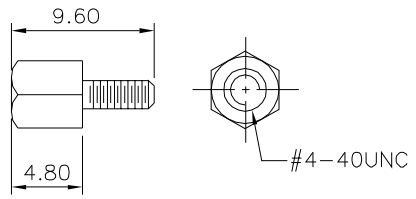
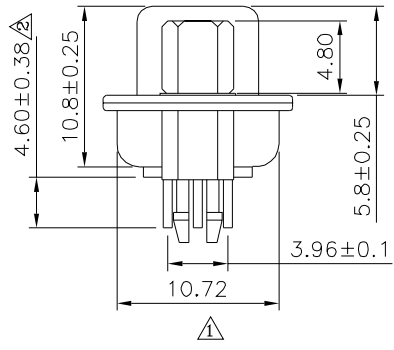
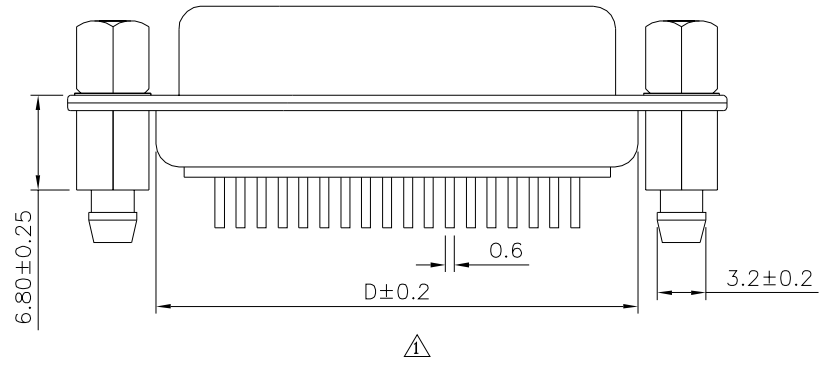
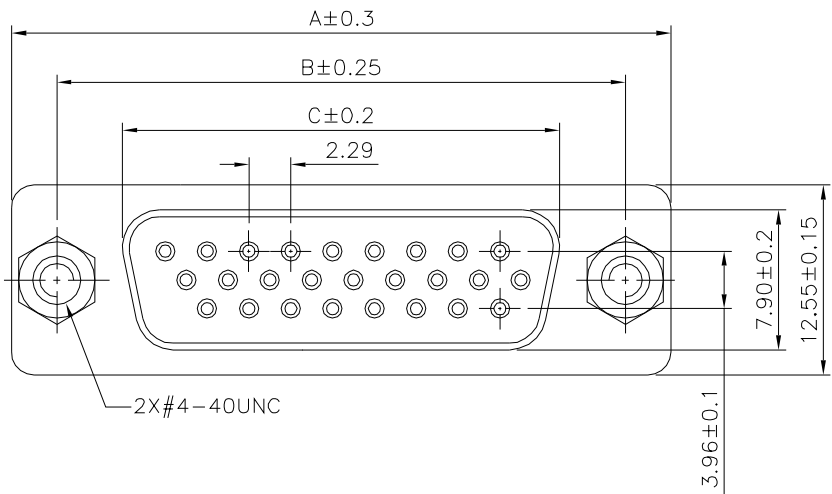


△ Recommended P.C.B. Layout



**SPECIFICATION**

Current Rating:1.0 Amp  
 Dielectric Withstanding Voltage:500V AC RMS  
 Insulator Resistance:1000 Megaohms Min. At 500V DC  
 Contact Resistance:30 Milliohms Max.  
 Operating Temperature:-40°C~+85°C  
 Insulator:PBT(UL94V-0),Black  
 Contact:Brass,Gold Flash On Contact Area,Tin  
 Plated On Solder Tails,Over Nickel  
 Front Shell:SPCC,Nickel Plated Over All  
 Rear Shell:SPCC,Tin Plated Over All  
 Boardlock:C3602,Tin Plated  
 Screw:Steel,Nickel Plated  
 RoHS Compliant



Pin	A	B	C	D
15	30.81	24.99	16.33	19.28
26	39.14	33.32	24.66	27.65
44	53.04	47.04	38.38	41.30

**4UCON** 元化興業股份有限公司  
 4UCON TECHNOLOGY INC.

DRAWING No. 20737

APPROVED BY MEI  
 CHECKED BY HZF  
 DRAWING BY CYP  
 REV. A2

UNLESS OTHERWISE SPECIFIED TOLERANCES ARE  
 X. ±0.50  
 XX ±0.38  
 XXX ±0.25  
 ANG. ±2°  
 UNIT mm

NO.	REV.	REVISIONS	CHK	DATE
△2	A2	Modify Data	HZF	10/25/2017
△1	A1	Modify Data	HZF	10/17/2017
△0	A0	NEW RELEASE	HZF	10/08/2014