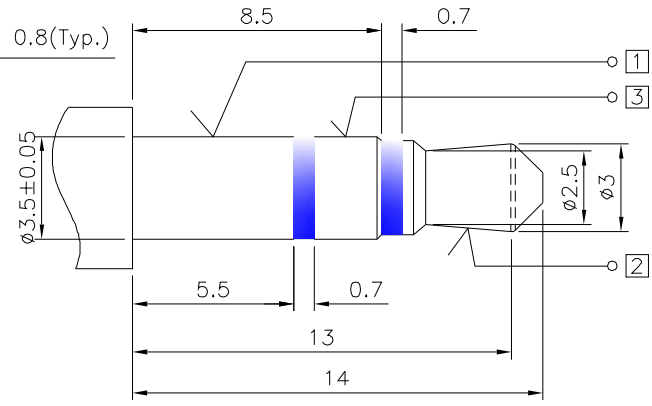
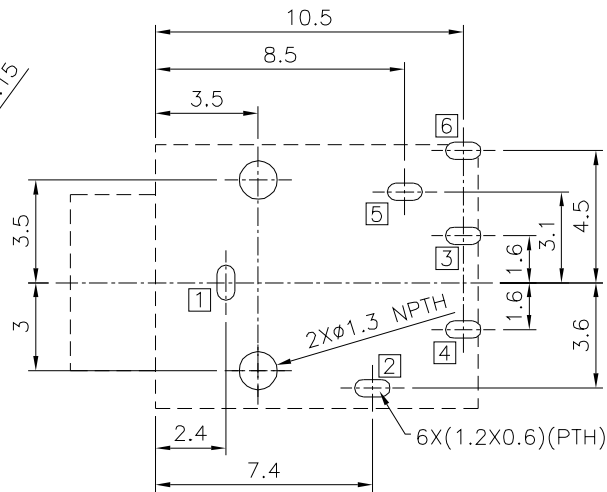
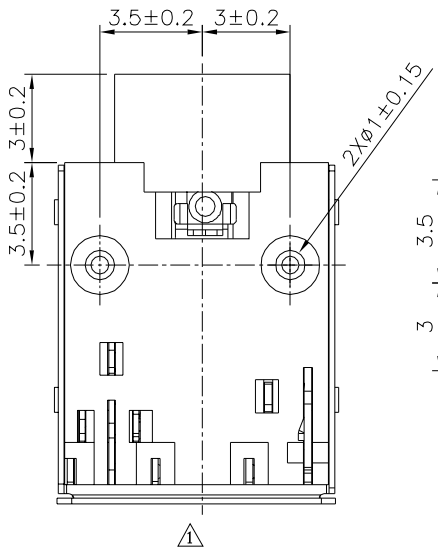


△ SPECIFICATION
 Rating:DC 30V,0.5A
 Contact Resistance:30 Milliohms Max.
 After Test:50 Milliohms Max.
 Insulation Resistance:100 Megaohms Min.(500V DC)
 After Test:50 Megaohms Min.
 Withstand Voltage:500V AC
 Operation Temperature Range:-20°C~+70°C
 RoHS Compliant



Matching Plug



Recommended P.C.B. Layout(Top View)

P/N	07PIN	06PIN	05PIN	04PIN(TYPE 2)	04PIN(TYPE 1)
Schematic					

No.	Description	Q'ty	Material	Remark
⑧	Shell	7	1	Phosphor Bronze Nickel Plated
⑦	Make Terminal	6	1	Phosphor Bronze Silver Plated
⑥	Transfer Terminal	5	1	Phosphor Bronze Silver Plated
⑤	Shunt Terminal	4	1	Brass Silver Plated
④	Ring Spring	3	1	Phosphor Bronze Silver Plated
③	Tip Spring	2	1	Phosphor Bronze Silver Plated
②	Earth Spring	1	1	Phosphor Bronze Silver Plated
①	Housing	1	PA10T,UL94V-0	Black

4UCON 元化興業股份有限公司
 4UCON TECHNOLOGY INC.

DRAWING No.		APPROVED BY		UNLESS OTHERWISE SPECIFIED TOLERANCES ARE X. ±0.3 .X ±0.3 .XX ±0.3 ANG. ±2°
20908		MEI		
		CHECKED BY		
		HZF		
		DRAWING BY		UNIT mm
		SONG		
SCALE	NONE	REV.	A1	

NO.	REV.	REVISIONS	CHK	DATE
△	A1	Modify Data	HZF	12/04/2023
△	A0	NEW RELEASE	HZF	08/27/2012