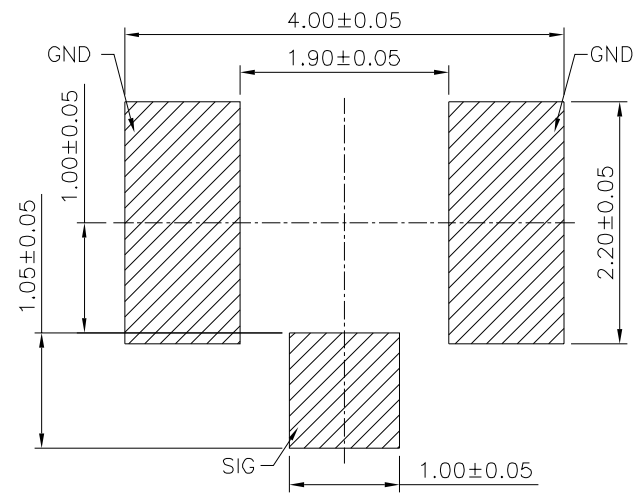
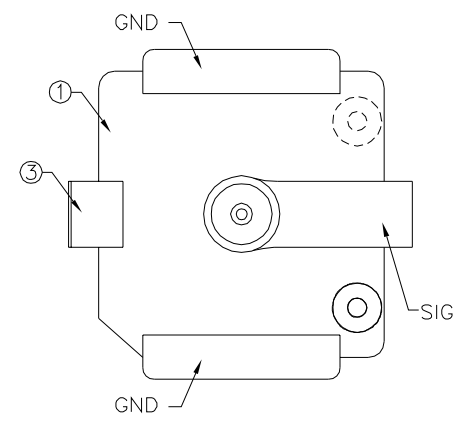
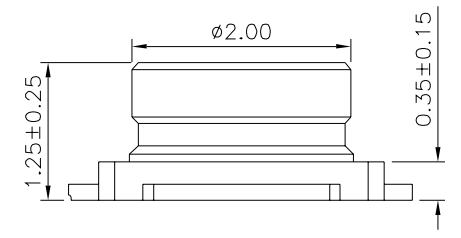
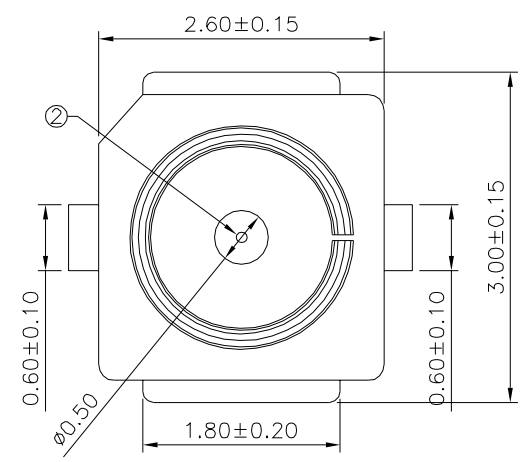


**SPECIFICATION**  
 Current Rating:0.5A Max.  
 Impedance:50 Ohms  
 Operation Temperature:-40°C~+90°C  
 Vswr Up To 3 GHZ:1.3 Max.  
 Durability:30 Cycles  
 RoHS Compliant



Recommended P.C.B. Layout

No.	Material	Remark
①	LCP(UL94V-0)	
②	Brass	Gold Plated Over Nickel
③	Phosphor Bronze	Gold Plated Over Nickel

**4UCON** 元化興業股份有限公司  
 4UCON TECHNOLOGY INC.

DRAWING No.   
 21069

APPROVED BY MEI  
 CHECKED BY HZF  
 DRAWING BY CYP

UNLESS OTHERWISE SPECIFIED TOLERANCES ARE  
 .X ±0.38  
 .XX ±0.25  
 ANG.

SCALE NONE

REV. A3

UNIT mm

NO.	REV.	REVISIONS	CHK	DATE
	A3	Modify Data	HZF	12/22/2020
	A2	Modify Data	HZF	07/10/2020
	A1	Modify Data	HZF	04/18/2020
	A0	NEW RELEASE	HZF	01/06/2017