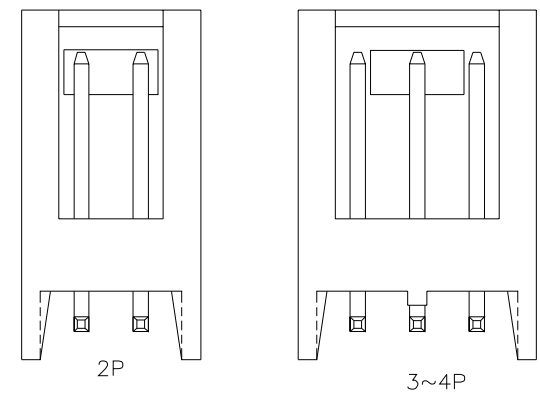
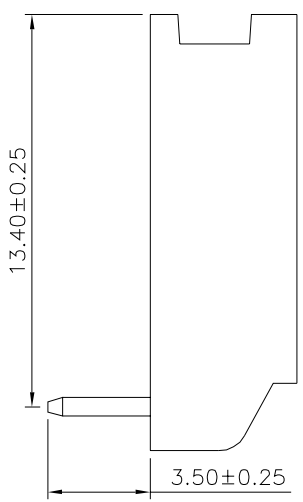
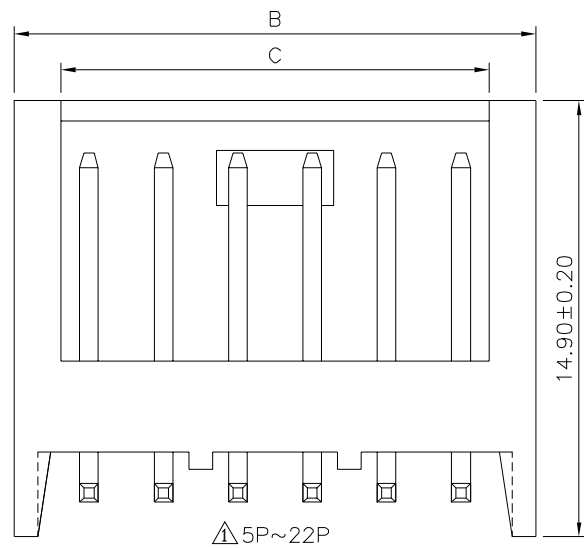
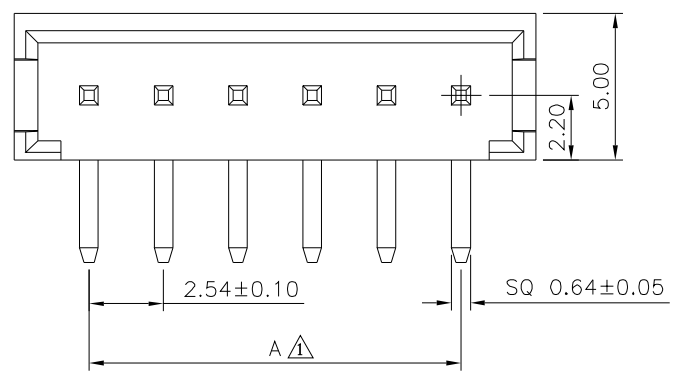
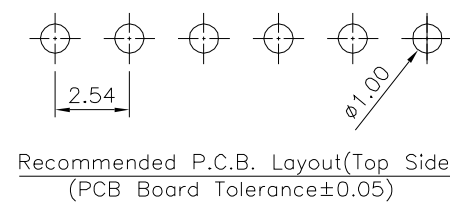


**△ SPECIFICATION**  
 Current Rating:3.0 Amp  
 Voltage Rating:250V AC/DC  
 Withstand Voltage:1000V AC/Minute  
 Contact Resistance:20 Milliohms Max.  
 Insulation Resistance:1000 Megaohms Min.  
 Operation Temperature:-25°C~+85°C  
 Contact:Brass,Tin Plated Over Nickel  
 Insulator:PA9T(UL94V-0),Black  
 RoHS Compliant



2~12P	A	2.54X(No. Of Contacts-1)±0.20
	B	2.54XNo. Of Contacts+2.54±0.25
	C	2.54XNo. Of Contacts-0.64±0.25
13~22P	A	2.54X(No. Of Contacts-1)±0.25
	B	2.54XNo. Of Contacts+2.54±0.30
	C	2.54XNo. Of Contacts-0.64±0.30

**4UCON** 元化興業股份有限公司  
 4UCON TECHNOLOGY INC.

DRAWING No. <b>21100</b>		APPROVED BY MEI		UNLESS OTHERWISE SPECIFIED TOLERANCES ARE .X ±0.40 .XX ±0.25 .XXX ±0.15 ANG. ±3°
		CHECKED BY HZF		
		DRAWING BY CYP		
SCALE	NONE	REV.	A1	
		UNIT	mm	

NO.	REV.	REVISIONS	CHK	DATE
△ A1		Modify Data	HZF	08/10/2020
△ A0		NEW RELEASE	HZF	01/28/2017