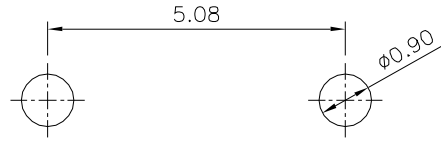
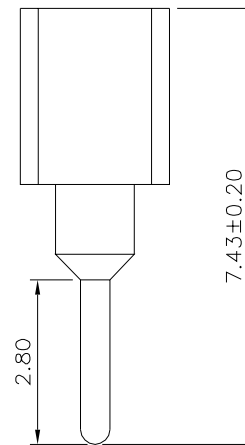
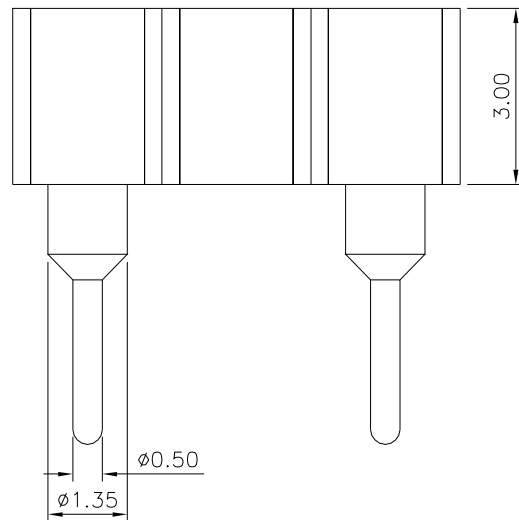
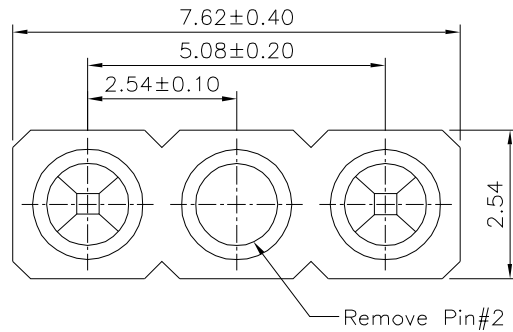


SPECIFICATION

Current Rating:3 Amps/Contact Max.
 Contact Resistance:4 Milliohms/Contact Max.
 Insulation Resistance:1000 Megaohms Min. At 100V
 Operating Voltage:60V AC/DC
 Average Insertion Force With Steel Pin Of
 $\phi 0.43\text{mm}$:<250g
 Average Withdrawal Force With Steel Pin Of
 $\phi 0.43\text{mm}$:>90g Min.
 Mechanical Life Cycle:200 Min.
 Operating Temperature:Gold Plated:-55°C~+105°C
 Tin Plated:-40°C~+105°C
 Soldering Temperature:+260°C,10s Max.
 Pin(Outer Sleeve):Brass,Tin Plated Over Nickel
 Clip(Contact 4 Finger):Beryllium Copper
 Gold Plated Over Nickel
 Insulator(Housing):PPS(UL94V-0),Black
 RoHS Compliant



Recommended P.C.B. Layout



4UCON 元化興業股份有限公司
 4UCON TECHNOLOGY INC.

DRAWING No.

21312

APPROVED BY

MEI

CHECKED BY

HZF

DRAWING BY

CYP

UNLESS OTHERWISE SPECIFIED TOLERANCES ARE
 X. ±0.25
 .X ±0.15
 .XX ±0.10
 .XXX ±0.05
 ANG. ±5°

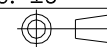
SCALE

NONE

REV.

A0

UNIT
 mm



NO. REV.

A0 NEW RELEASE
 REVISIONS

CHK

HZF 11/02/2017
 DATE