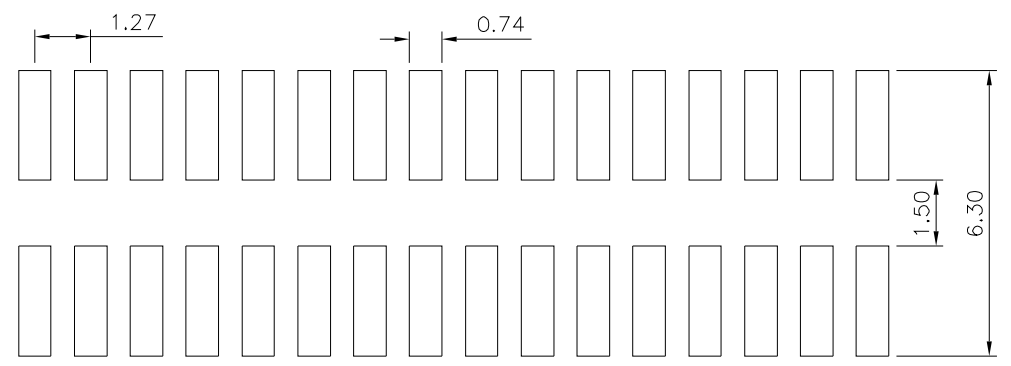
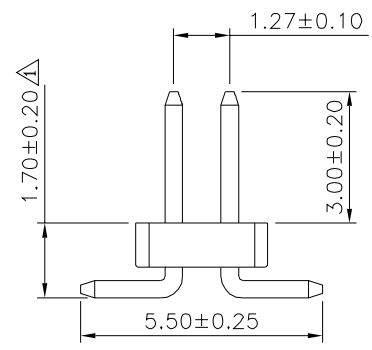
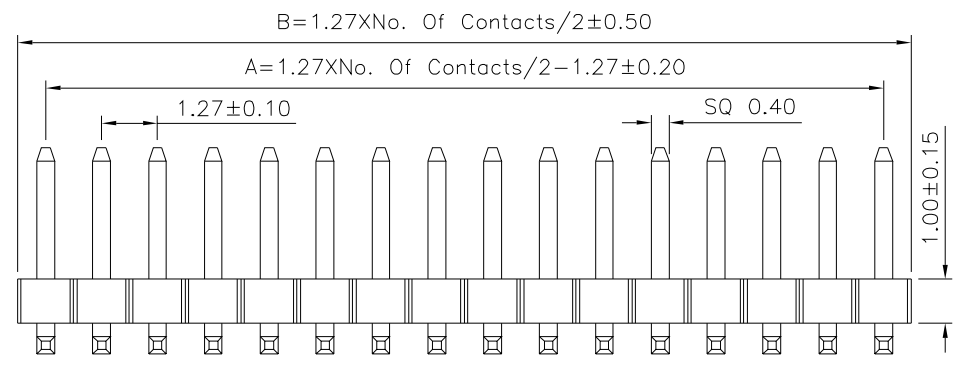
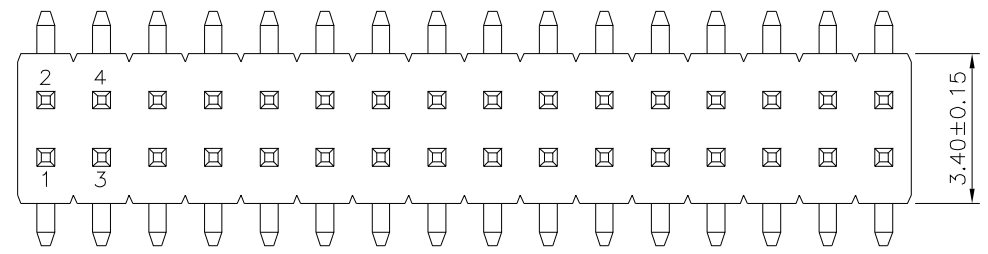


SPECIFICATION

Current Rating:1A
 Withstand Voltage:500V AC/Minute
 Contact Resistance:20 Milliohms Max.
 Insulation Resistance:1000 Megaohms Min.
 Operating Temperature:-40°C~+105°C
 Insulator:PA6T+30%G.F.(UL94V-0),Black
 Contact:Brass,Gold Flash Over Nickel
 RoHS Compliant



△ Recommended P.C.B. Layout
 (PCB Board Tolerance±0.05)



Pin	A	B	Pin	A	B
04	1.27	2.54	54	33.02	34.29
06	2.54	3.81	56	34.29	35.56
08	3.81	5.08	58	35.56	36.83
10	5.08	6.35	60	36.83	38.10
12	6.35	7.62	62	38.10	39.37
14	7.62	8.89	64	39.37	40.64
16	8.89	10.16	66	40.64	41.91
18	10.16	11.43	68	41.91	43.18
20	11.43	12.70	70	43.18	44.45
22	12.70	13.97	72	44.45	45.72
24	13.97	15.24	74	45.72	46.99
26	15.24	16.51	76	46.99	48.26
28	16.51	17.78	78	48.26	49.53
30	17.78	19.05	80	49.53	50.80
32	19.05	20.32	82	50.80	52.07
34	20.32	21.59	84	52.07	53.34
36	21.59	22.86	86	53.34	54.61
38	22.86	24.13	88	54.61	55.88
40	24.13	25.40	90	55.88	57.15
42	25.40	26.67	92	57.15	58.42
44	26.67	27.94	94	58.42	59.69
46	27.94	29.21	96	59.69	60.96
48	29.21	30.48	98	60.96	62.23
50	30.48	31.75	100	62.23	63.50
52	31.75	33.02			

4UCON 元化興業股份有限公司
 4UCON TECHNOLOGY INC.

DRAWING No. 21324
 APPROVED BY MEI
 CHECKED BY HZF
 DRAWING BY CYP
 SCALE NONE REV. A1

UNLESS OTHERWISE SPECIFIED TOLERANCES ARE
 .X ±0.30
 .XX ±0.20
 UNIT mm

NO.	REV.	REVISIONS	CHK	DATE
△A1		Modify Data	HZF	02/26/2018
△A0		NEW RELEASE	HZF	11/06/2014