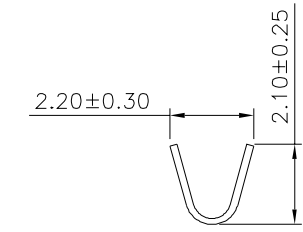
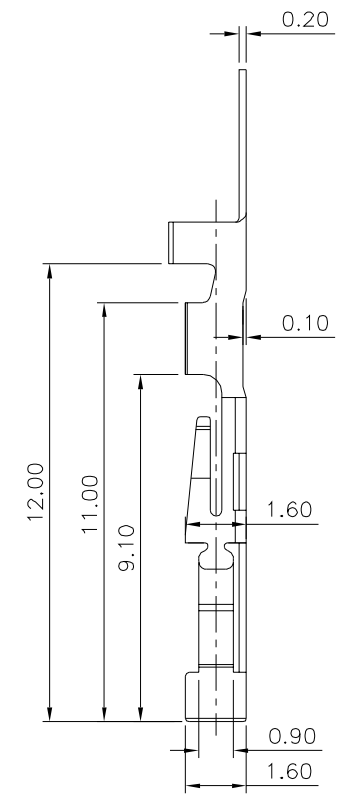
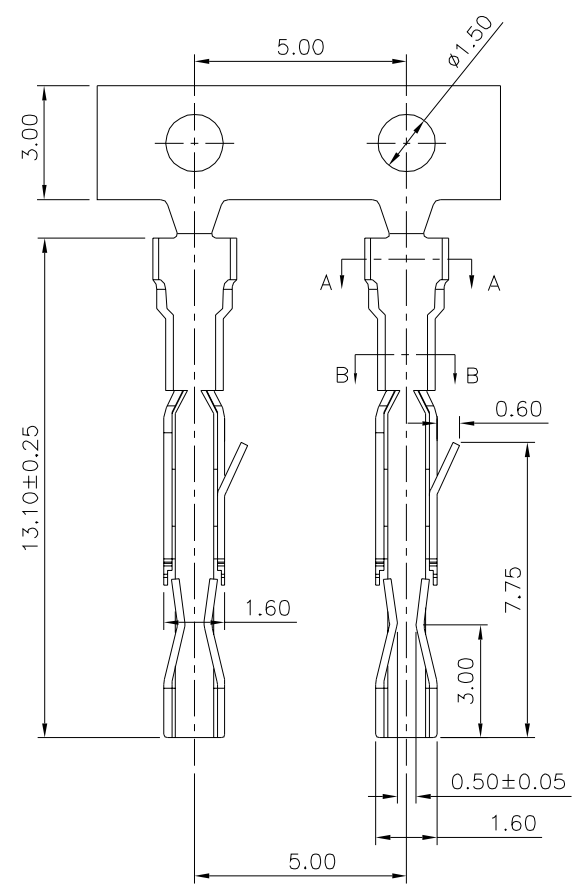
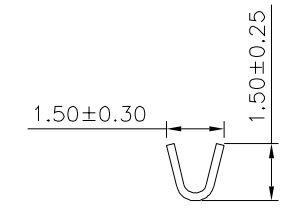


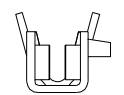
SPECIFICATION
 Current Rating:3.0 Amp
 Withstand Voltage:1000V AC/DC
 Contact Resistance:20 Milliohms Max.
 Insulation Resistance:1000 Megaohms Min.
 Operation Temperature:-25°C~+85°C
 Contact:Phosphor Bronze,Gold Plated Over Nickel
 Wire Range:AWG#22~#28
 Insulation O.D.:1.50mm Max.
 Q'ty:15000 PCS/Reel
 RoHS Compliant



Section A-A



Section B-B



4UCON 元化興業股份有限公司
 4UCON TECHNOLOGY INC.

DRAWING No.		APPROVED BY		UNLESS OTHERWISE SPECIFIED TOLERANCES ARE .X ±0.40 .XX ±0.25 .XXX ±0.15 ANG. ±3°
21378		MEI		
		CHECKED BY		
		HZF		
		DRAWING BY		
		CYP		
SCALE	NONE	REV.	A0	UNIT
				mm

NO.	REV.	REVISIONS	CHK	DATE
△ A0		NEW RELEASE	HZF	12/26/2017