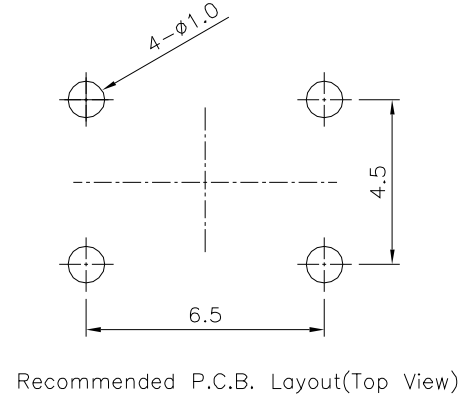
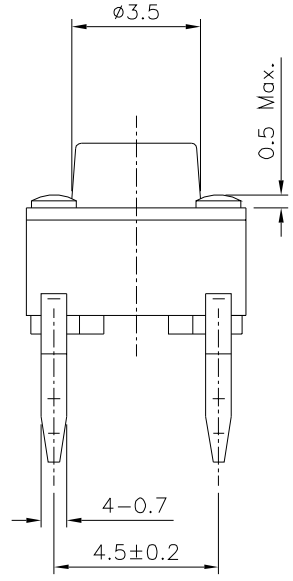
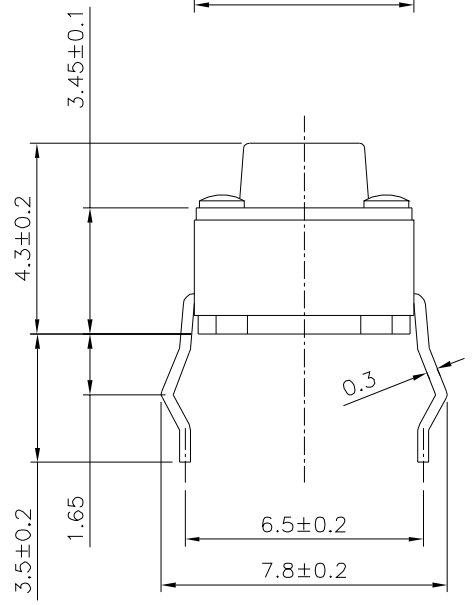
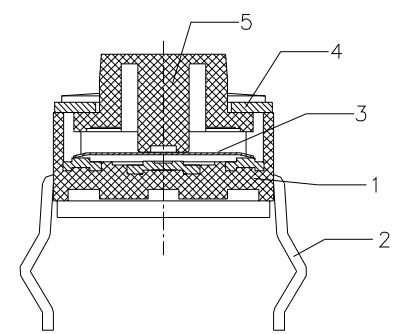
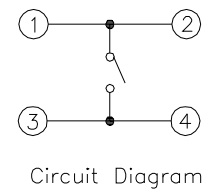
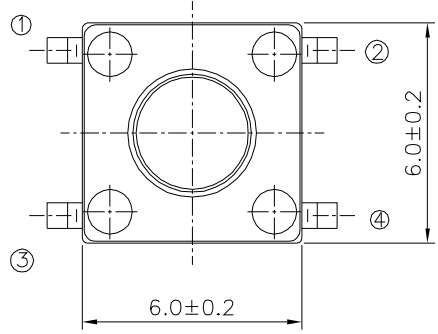


**SPECIFICATION**  
 Rating:12V DC 50mA Max.  
 Contact Resistance:100 Milliohms Max.  
 Withstand Voltage:250V AC(50Hz-60Hz)/Minute  
 Insulation Resistance:100 Megaohms Min.  
 At 100V DC/Minute  
 Operation Temperature:-20°C~+70°C  
 Storage Temperature:-40°C~+85°C  
 Operating Force:160g  
 RoHS Compliant



No.	Description	Material	Remark
1	Base	PA66	Black
2	Terminal	Brass	Silver Plated
3	Contact	Phosphor Bronze	Silver Plated
4	Cover	Steel	Cusn Plated
5	Stem	PA66	Black

**4UCON** 元化興業股份有限公司  
 4UCON TECHNOLOGY INC.

DRAWING No.		APPROVED BY		UNLESS OTHERWISE SPECIFIED TOLERANCES ARE .X ±0.30 .XX ±0.30 ANG.
21435		MEI		
		CHECKED BY HZF		
		DRAWING BY LZX		
SCALE	NONE	REV.	A0	UNIT mm

NO.	REV.	DESCRIPTION	CHK	DATE
△ A0		NEW RELEASE	HZF	10/11/2021
		REVISIONS		