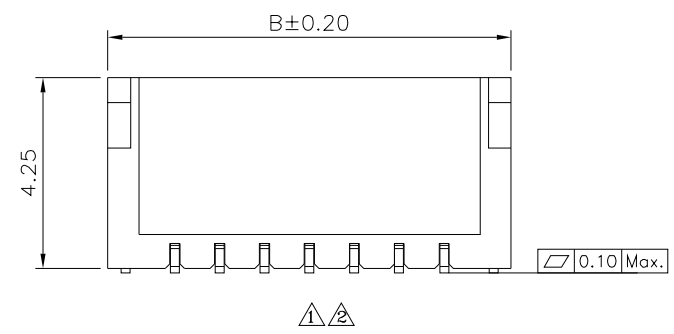
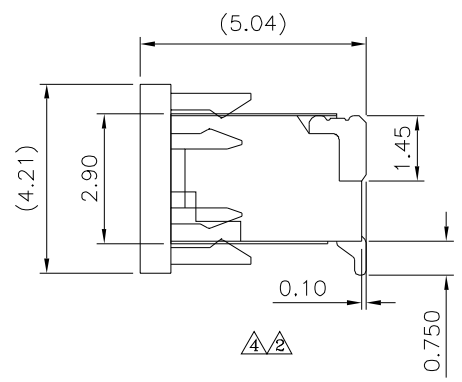
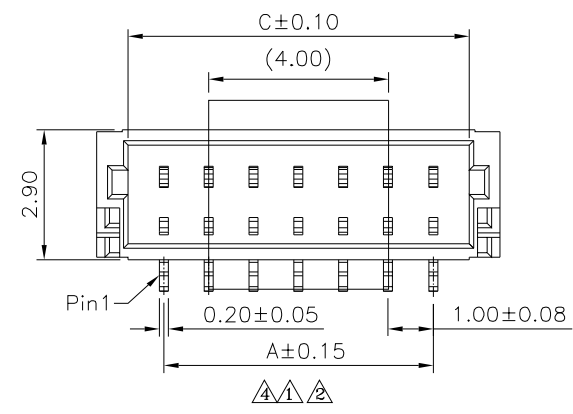


Recommended P.C.B. Layout  
Tolerance ±0.05



**SPECIFICATION**

Current Rating:1A AC,DC  
Voltage Rating:50V AC,DC  
Withstand Voltage:500V AC/Minute  
Contact Resistance:20 Milliohms Max.  
Insulation Resistance:100 Megaohms Min.  
Temperature Range:-40°C~+105°C  
Contact:Phosphor Bronze,Tin  
Plated Over Nickel  
Fitting Nail:Brass,Tin Plated Over Nickel  
Insulator:PA9T(UL94V-0),Nature  
RoHS Compliant

Pin	A	B	C
02	1.00	4.00	2.49
03	2.00	5.00	3.49
04	3.00	6.00	4.49
05	4.00	7.00	5.49
06	5.00	8.00	6.49
07	6.00	9.00	7.49
08	7.00	10.00	8.49
09	8.00	11.00	9.49
10	9.00	12.00	10.49
11	10.00	13.00	11.49
12	11.00	14.00	12.49
13	12.00	15.00	13.49
14	13.00	16.00	14.49
15	14.00	17.00	15.49
16	15.00	18.00	16.49
17	16.00	19.00	17.49
18	17.00	20.00	18.49
19	18.00	21.00	19.49
20	19.00	22.00	20.49

**4UCON** 元化興業股份有限公司  
4UCON TECHNOLOGY INC.

DRAWING No. **21479**  
APPROVED BY MEI  
CHECKED BY HZF  
DRAWING BY CYP  
SCALE NONE REV. A4

UNLESS OTHERWISE SPECIFIED TOLERANCES ARE  
.X ±0.30  
.XX ±0.20  
.XXX ±0.10  
ANG ±2°  
UNIT mm

NO.	REV.	REVISIONS	CHK	DATE
A4		Modify Data	HZF	03/18/2024
A3		Modify Data	HZF	04/08/2021
A2		Modify Data	HZF	06/05/2020
A1		Modify Data	HZF	09/11/2017
A0		NEW RELEASE	HZF	11/04/2014