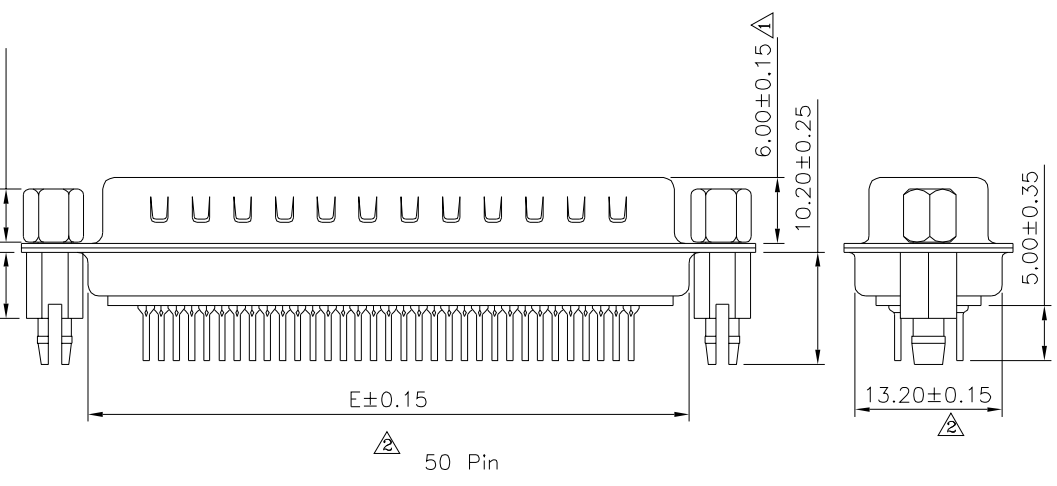
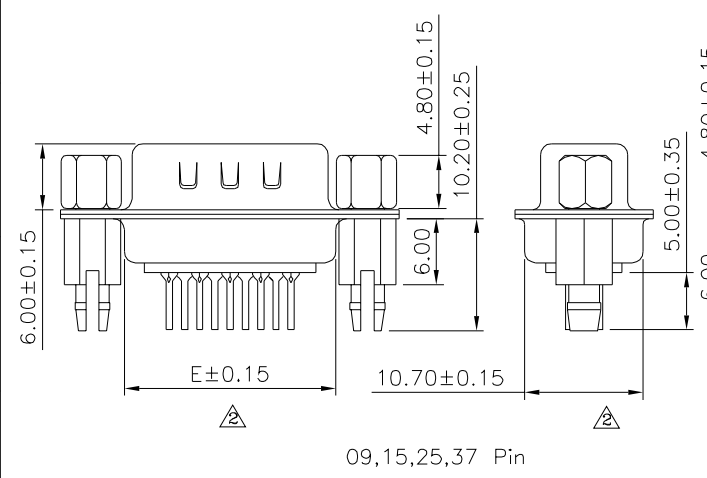
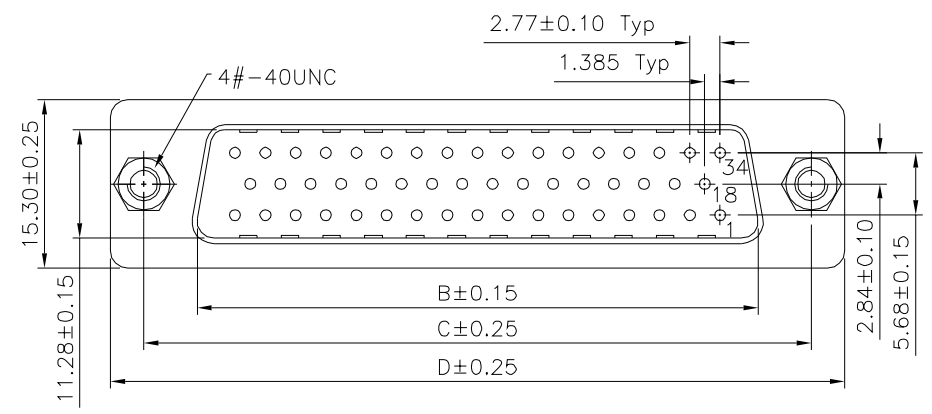
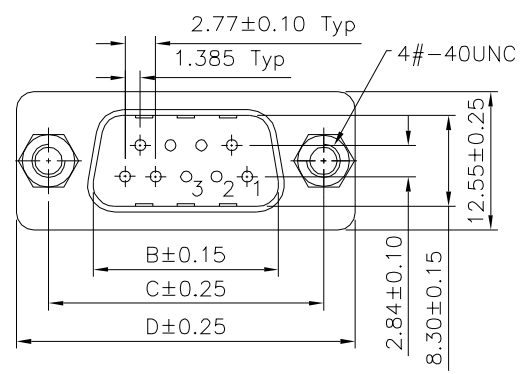
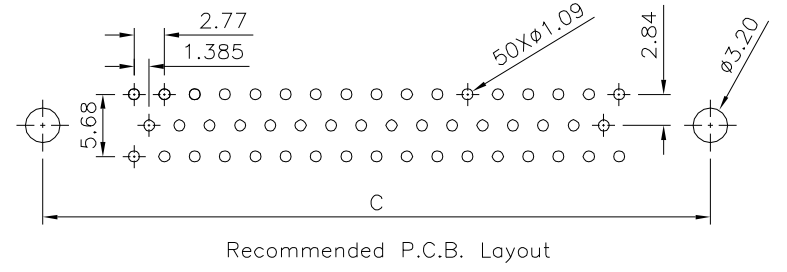
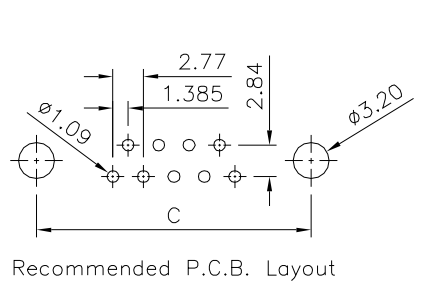


SPECIFICATION

▲▲ Current Rating: 1 Amp
 Withstanding Voltage: 500V (One Minute)
 Contact Resistance: 30 Milliohms Max.
 Insulation Resistance: 1000 Megaohms Min.
 At 500V DC
 Operation Temperature: -40°C ~ +85°C
 Insulator: PBT+30%G.F. (UL94V-0), Black
 Contact: C2680
 Shell: SPCC, Front: Nickel Plated, Rear: Tin Plated
 Screw: 12L14, Nickel Plated
 Boardlocks: C3602, Tin Plated
 RoHS Compliant



Pin	B	C	D	E
09	16.92	24.99	30.81	19.20
15	25.25	33.32	39.20	27.70
25	38.96	47.04	53.04	41.10
37	55.42	63.50	69.40	57.30
50	52.81	61.00	67.00	55.10

4UCON 元化興業股份有限公司
 4UCON TECHNOLOGY INC.

DRAWING No. ▲		APPROVED BY		UNLESS OTHERWISE SPECIFIED TOLERANCES ARE .X ±0.38 .X* ±3* .XX ±0.25 .XX* ±1* .XXX ±0.05 .XXX* ±0.5*
21520		MEI		
		CHECKED BY		
HZF		DRAWING BY		
CYP		A2		UNIT
SCALE	NONE	REV.	A2	mm

NO.	REV.	REVISIONS	CHK	DATE
▲	A2	Modify Data	HZF	01/12/2019
▲	A1	Modify Data	HZF	11/08/2013
▲	A0	NEW RELEASE	HZF	07/03/2011