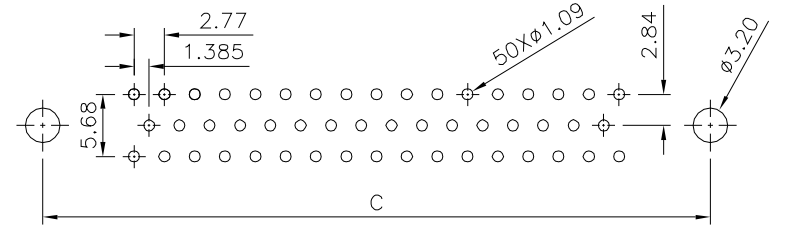
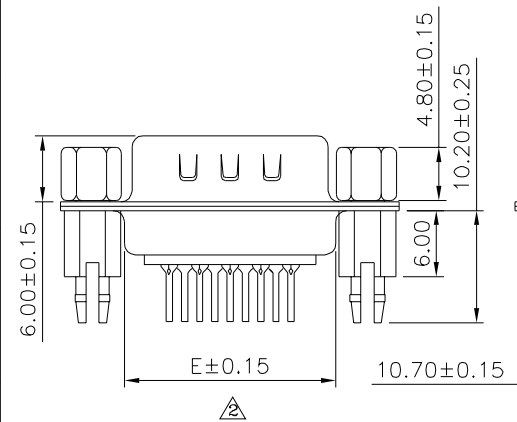
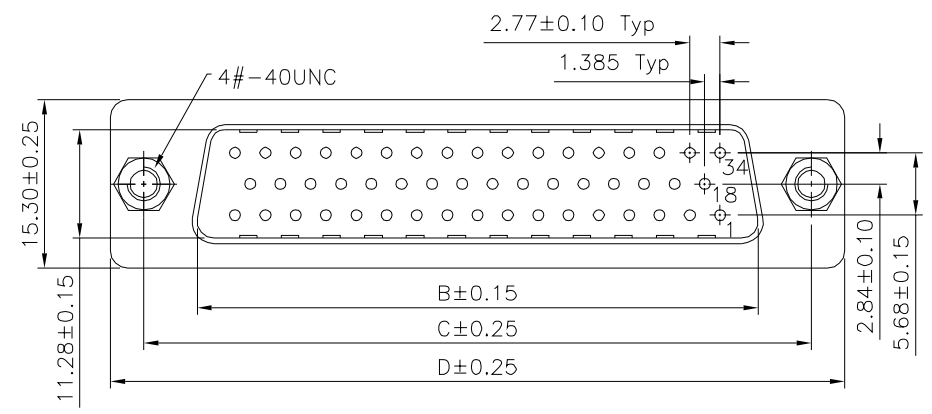
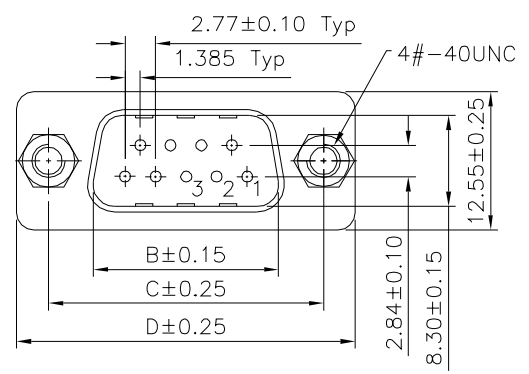


Recommended P.C.B. Layout

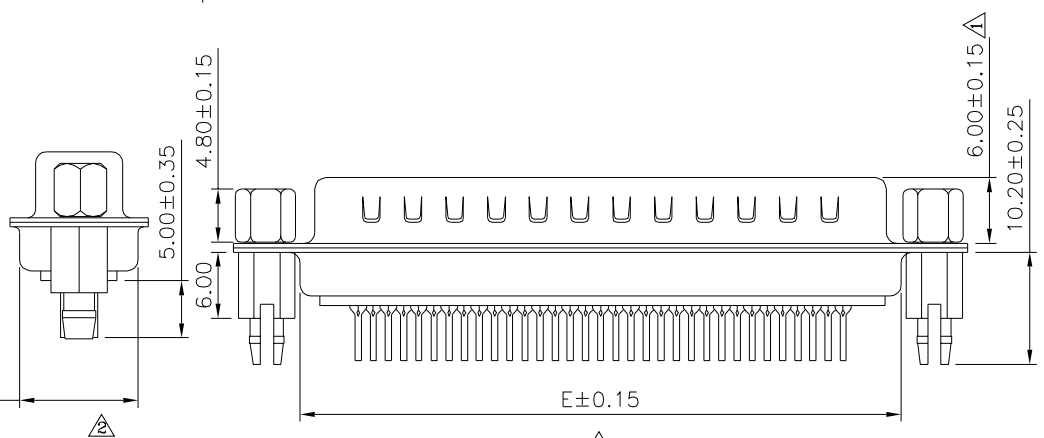


Recommended P.C.B. Layout

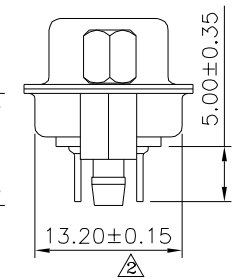
**SPECIFICATION**  
 ⚠️ Current Rating: 1 Amp  
 Withstanding Voltage: 500V (One Minute)  
 Contact Resistance: 30 Milliohms Max.  
 Insulation Resistance: 1000 Megaohms Min.  
 At 500V DC  
 Operation Temperature: -40°C ~ +85°C  
 Insulator: PBT+30%G.F. (UL94V-0), White  
 Contact: C2680  
 Shell: SPCC, Front: Nickel Plated, Rear: Tin Plated  
 Screw: 12L14, Nickel Plated  
 Boardlocks: C3602, Tin Plated  
 RoHS Compliant



09,15,25,37 Pin



50 Pin



Pin	B	C	D	E
09	16.92	24.99	30.81	19.20
15	25.25	33.32	39.20	27.70
25	38.96	47.04	53.04	41.10
37	55.42	63.50	69.40	57.30
50	52.81	61.00	67.00	55.10

**4UCON** 元化興業股份有限公司  
 4UCON TECHNOLOGY INC.

DRAWING No.		APPROVED BY		UNLESS OTHERWISE SPECIFIED TOLERANCES ARE .X ±0.38 .X* ±3* .XX ±0.25 .XX* ±1* .XXX ±0.05 .XXX* ±0.5*
21521		MEI		
		CHECKED BY		
HZF		DRAWING BY		
CYP		A2		UNIT
SCALE	NONE	REV.	A2	mm

NO.	REV.	REVISIONS	CHK	DATE
	A2	Modify Data	HZF	01/12/2019
	A1	Modify Data	HZF	11/08/2013
	A0	NEW RELEASE	HZF	07/03/2011