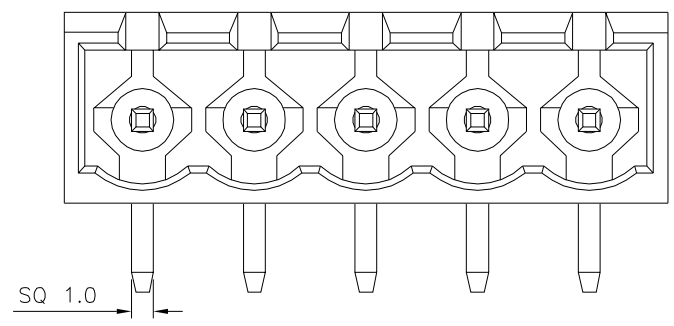
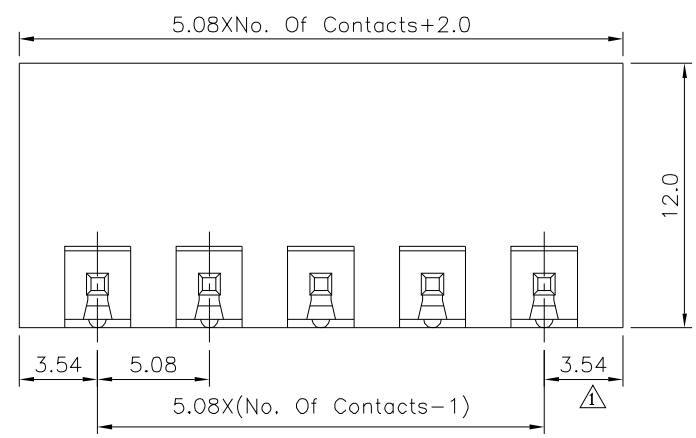
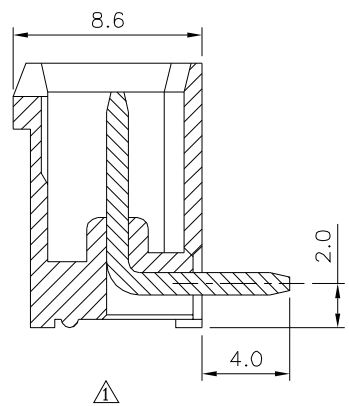


△ Recommended P.C.B. Layout

△ SPECIFICATION
 Current Rating:16A
 Voltage Rating:300V AC
 Withstanding Voltage:2500V AC For 1 Minute
 Using Temperature Range:-40°C~+105°C
 Soldering Temperature:+250°C,5s Max.
 Insulator Body(Housing):Polyamide+G.F.(UL94V-0),Black
 Solder Pin:Copper Alloy,Tin Plated
 RoHS Compliant



4UCON 元化興業股份有限公司
 4UCON TECHNOLOGY INC.

DRAWING No. **21562**

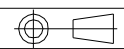
APPROVED BY MEI
 CHECKED BY HZF
 DRAWING BY CYP

UNLESS OTHERWISE SPECIFIED TOLERANCES ARE
 X. ±0.50
 .X ±0.30
 .XX ±0.20
 ANG. ±1°

NO.	REV.	REVISIONS	CHK	DATE
3	A3	Modify Data	HZF	12/10/2015
2	A2	Modify Data	HZF	06/16/2015
1	A1	Modify Data	HZF	08/29/2013
0	A0	NEW RELEASE	HZF	12/04/2009

SCALE NONE

REV. A3



UNIT mm