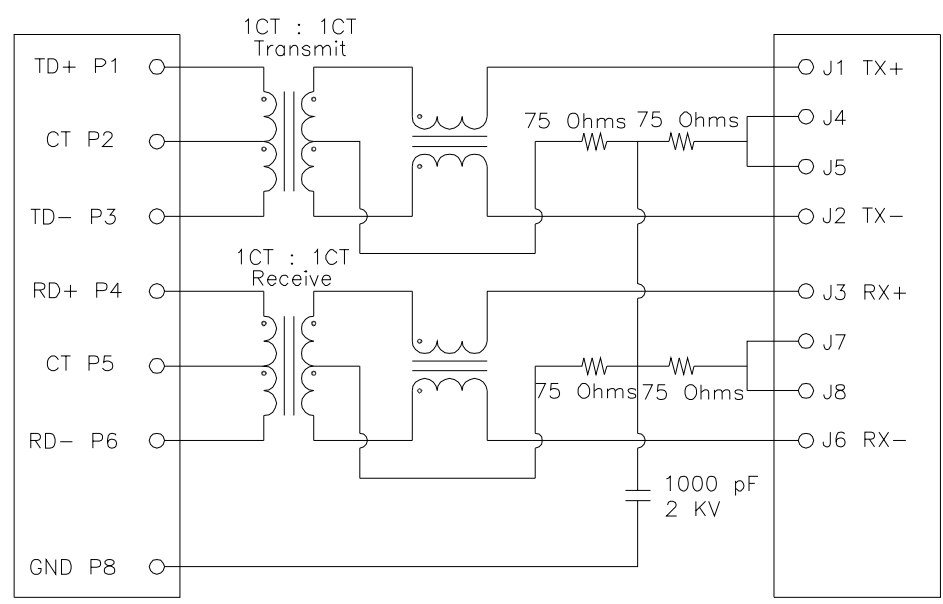


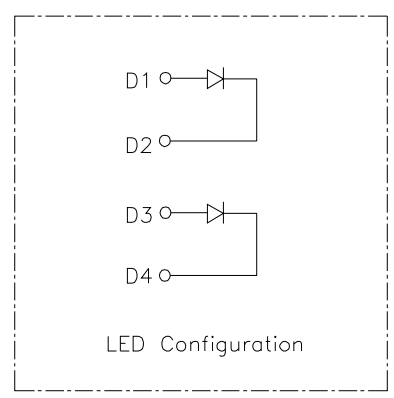
Connector Solder Side

RJ45 Contact Side



ELECTRICAL SPECIFICATION

- Test Notes:(25±5°C)
- TR:(100KHz,0.1V);
Pins:(P1~P2):(J1~J2)=1:1±3%
Pins:(P4~P6):(J3~J6)=1:1±3%
 - LX:(100KHz,100mV,8mA,DC Bias)
Pins:(P1,P2),(P7,P8)=350uH Min.
 - DCR:
Pins:(J1~J2),(J3~J6)=1.2 Ohms Max.
 - Hipot:
Pins(P1,P2,P3) To (J1,J2)=1500V AC For 60 Seconds
Pins(P4,P5,P6) To (J3,J6)=1500V AC For 60 Seconds
 - Insertion Loss:
-1.0dB Max. At 0.3MHz To 100MHz;
 - Return Loss:
-20dB Min. At 1MHz To 30MHz
-15dB Min. At 30MHz To 60MHz
-10dB Min. At 60MHz To 80MHz
 - Cross Talk:
-30dB Min. At 1MHz To 100MHz
 - Common To Common Mode Rejection:
-30dB Min. At 1MHz To 100MHz
- RoHS Compliant



LED Color Option

Left LED Single Color Right LED Single Color	Left LED Single Color Right LED Dual Color	Left LED Dual Color Right LED Single Color	Left LED Dual Color Right LED Dual Color
D1 D2	D1 D2	D1 D2 R F	D1 D2 R F
D3 D4	D3 D4 R F	D3 D4	D3 D4 R F

*F:Forward ; R:Reverse

4UCON 元化興業股份有限公司
4UCON TECHNOLOGY INC.

DRAWING No.		APPROVED BY		UNLESS OTHERWISE SPECIFIED TOLERANCES ARE X. ±0.50 X ±0.38 XX ±0.25 XXX ±0.10 ANG. ±3°
21579		MEI		
		HZF		
		DRAWING BY		
		CYP		
SCALE	NONE	REV.	A0	UNIT mm

△ A0	NEW RELEASE	HZF	09/18/2018
NO.REV.	REVISIONS	CHK	DATE