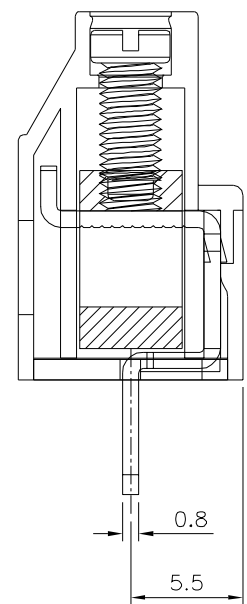
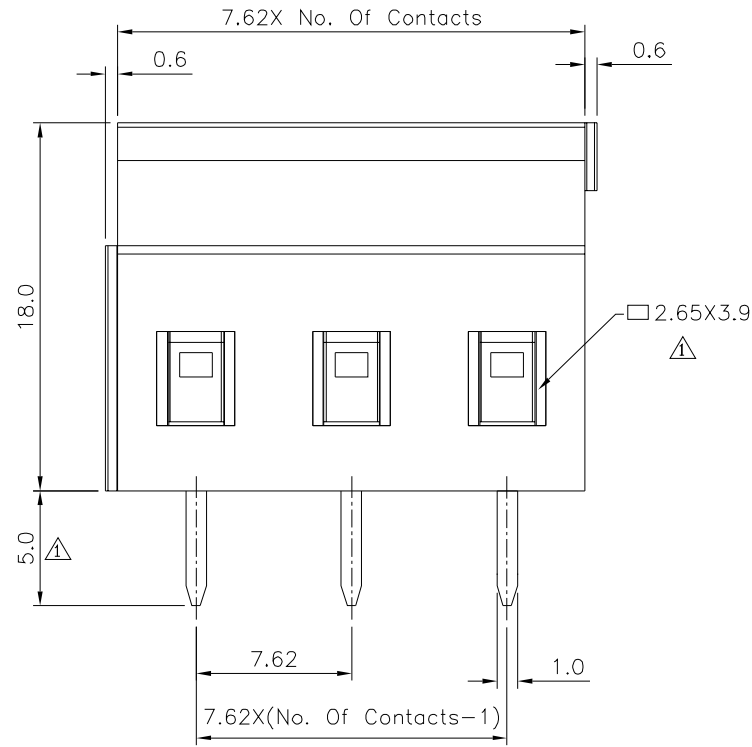


Recommended P.C.B. Layout

SPECIFICATION
 Current Rating:16 Amps/Way Max.
 Voltage Rating:300V AC
 Contact Resistance:20 Milliohms Max.
 Withstanding Voltage:2500V AC(1 Minute)
 Test Time=60s/1 PCS
 Wire Range:12~30 AWG
 Operation Temperature:-40°C~+105°C
 Soldering Reliability:250°C±10°C/5 Seconds Max.
 Torque:4.5 Kgf.cm/M3
 Insulator Body(Housing):Polyamide(UL94V-0),Green
 Contact(Metal Housing):Copper Alloy,Nickel Plated
 Solder Pin:Copper Alloy,Tin Plated
 Terminal Screw:Steel,Galvanized With Cr3+ Plated
 RoHS Compliant



4UCON 元化興業股份有限公司
 4UCON TECHNOLOGY INC.

DRAWING No.		APPROVED BY		UNLESS OTHERWISE SPECIFIED TOLERANCES ARE X. ±0.50 .X ±0.30 .XX ±0.20 ANG. ±1°
21591		MEI		
		CHECKED BY		
HZF		DRAWING BY		
SONG		A1		UNIT
SCALE	NONE	REV.	A1	mm

NO.	REV.	REVISIONS	CHK	DATE
△	A1	Modify Data	HZF	07/11/2013
△	A0	NEW RELEASE	HZF	07/10/2011