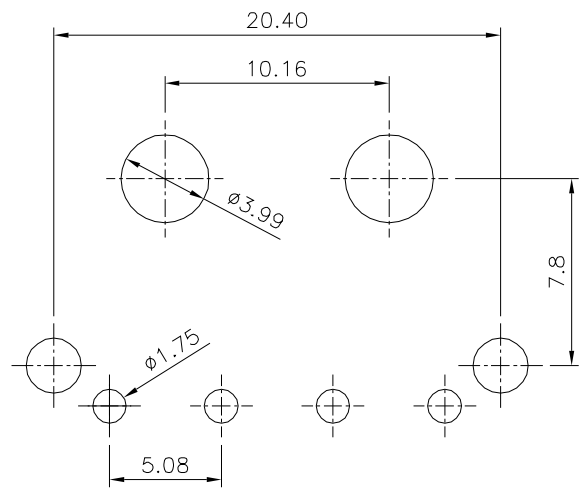
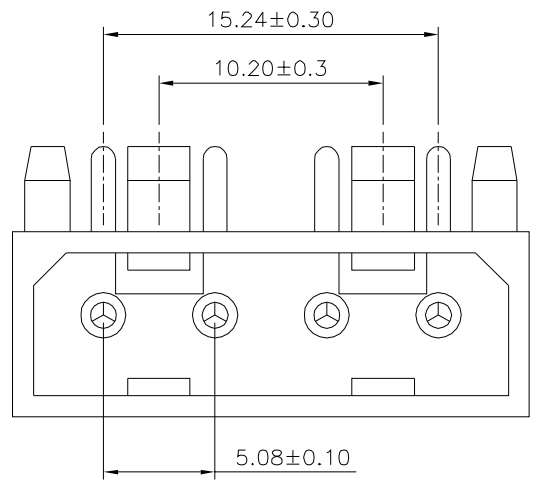
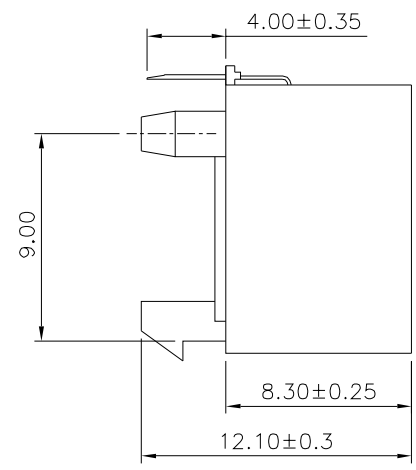
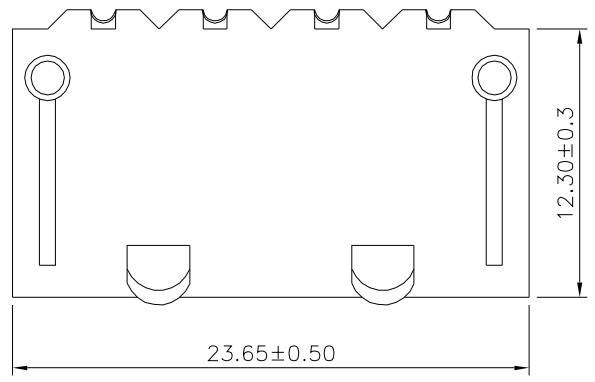


SPECIFICATION

Current Rating:9A AC/DC
 Voltage Rating:250V AC/DC
 Insulation Resistance:1000 Megaohms Min.
 Withstand Voltage:1500V AC/Minute
 Temperature Range:-25°C~+85°C
 Base:PA66(UL94V-2)
 Pin:Brass,Tin Plated
 RoHS Compliant



Recommended P.C.B. Layout

4UCON 元化興業股份有限公司
 4UCON TECHNOLOGY INC.

DRAWING No.		APPROVED BY		UNLESS OTHERWISE SPECIFIED TOLERANCES ARE .X ±0.5 .XX ±0.30 .XXX ±0.15 ANG. ±2°
21596		EMILY		
		CHECKED BY		
		HZF		
		DRAWING BY		
		LZX		
SCALE	NONE	REV.	A0	UNIT
				mm

NO.	REV.	REVISIONS	CHK	DATE
△	A0	NEW RELEASE	HZF	06/23/2023