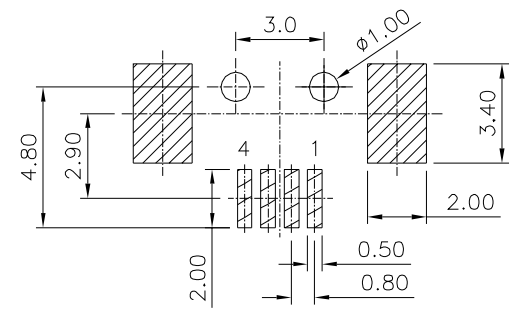
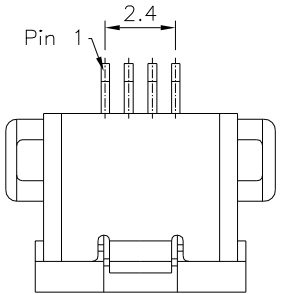
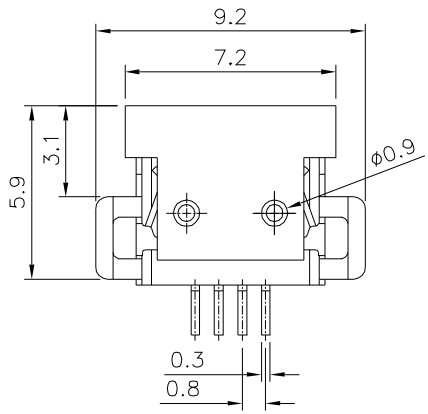
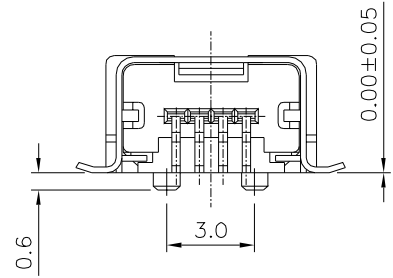
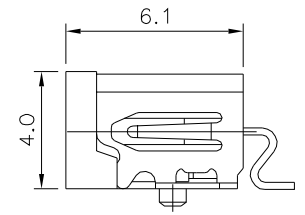
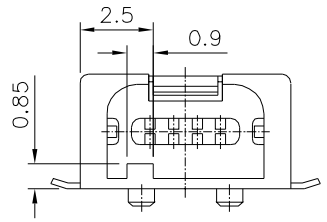


SPECIFICATION

Rating:DC 30V/2A
 Housing:PA9T(UL94V-0),Black
 Contact:Phosphor Bronze,Gold Plated On Contact Area,Tin
 Plated On Solder Tails,Over Nickel
 Shell:Stainless Steel,Nickel Plated
 RoHS Compliant



Recommended P.C.B. Layout



4UCON 元化興業股份有限公司
 4UCON TECHNOLOGY INC.

DRAWING No.		APPROVED BY		UNLESS OTHERWISE SPECIFIED TOLERANCES ARE .X ±0.20 .XX ±0.10 .XXX ±0.05 .XXXX ±0.03 ANG. ±1°
21610		MEI		
		CHECKED BY		
DRAWING BY		HZF		
CYP		DRAWING BY		
SCALE	NONE	REV.	A0	UNIT
				mm

NO.	REV.	REVISIONS	CHK	DATE
△ A0		NEW RELEASE	HZF	11/13/2018