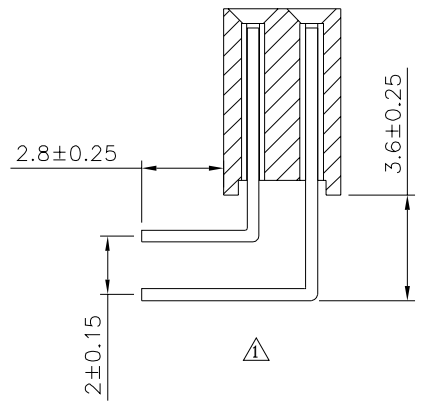
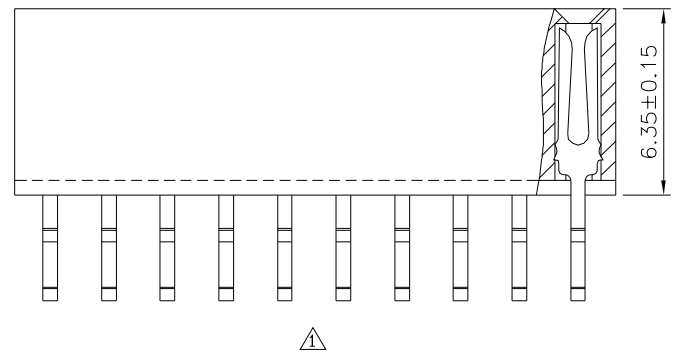
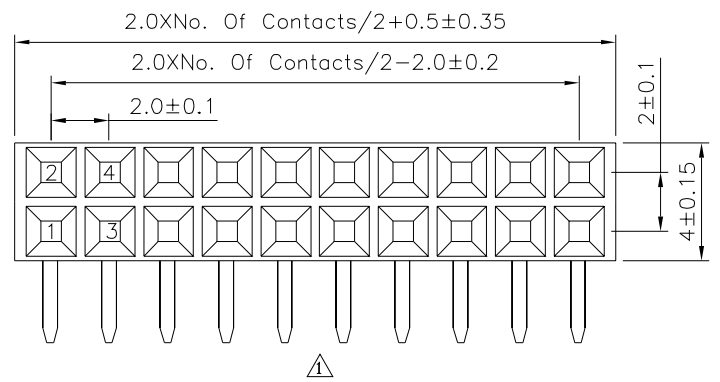
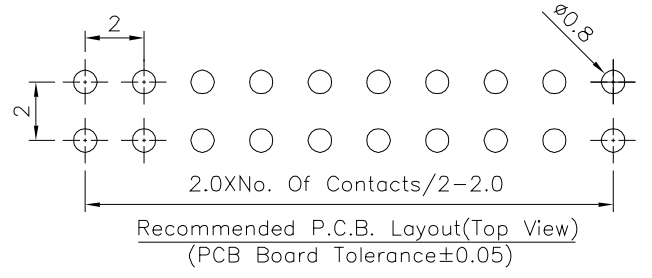


**SPECIFICATION**

Current Rating:1.5A  
 Withstand Voltage:500V AC  
 Contact Resistance:20 Milliohms Max.  
 Insulation Resistance:1000 Megaohms Min.  
 Operation Temperature:-40°C~+105°C  
 ⚠ Insulator:PA9T(UL94V-0),Black  
 Contact:Brass,Gold Flash Over Nickel  
 RoHS Compliant



**4UCON** 元化興業股份有限公司  
 4UCON TECHNOLOGY INC.

DRAWING No.		APPROVED BY		UNLESS OTHERWISE SPECIFIED TOLERANCES ARE	
21637		MEI		X. ±0.25	X.* ±2*
		CHECKED BY		.X ±0.20	.X* ±1.5*
		DRAWING BY		.XX ±0.15	.XX* ±1*
SCALE		REV.		.XXX ±0.10	.XXX* ±0.5*
NONE		A2		UNIT	mm

NO.	REV.	REVISIONS	CHK	DATE
⚠	A2	Modify Data	HZF	07/11/2024
⚠	A1	Modify Data	HZF	06/13/2019
⚠	A0	NEW RELEASE	HZF	12/11/2013