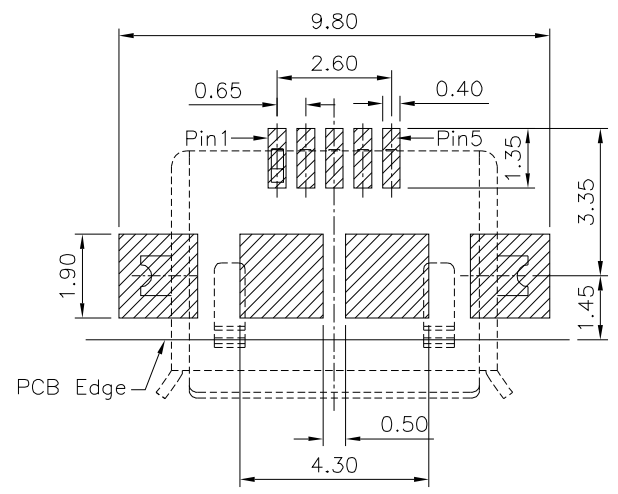
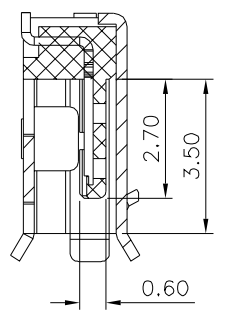
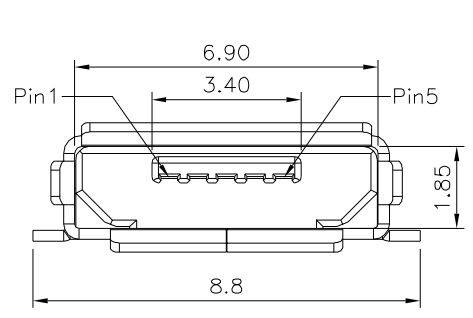
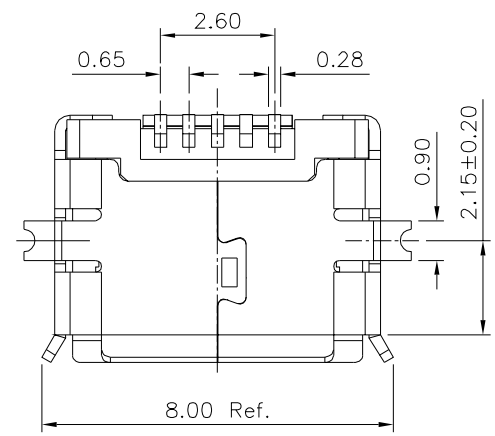
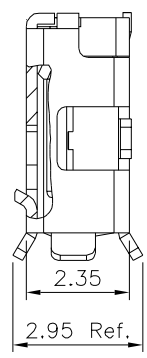
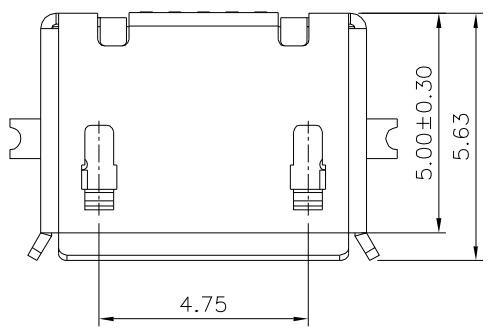
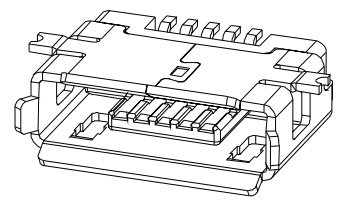
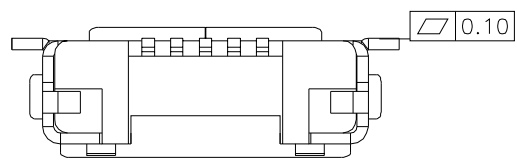


SPECIFICATION

Current Rating:1,5 Pin 1.8A Max.
 2,3,4 Pin 1A Max.
 Withstand Voltage:100V AC For One Minute
 Contact Resistance:30 Milliohms Max.
 Insulation Resistance:100 Megaohms Min.
 Total Mating Force:3.57 Kgf Max.
 Total Unmating Force:1.0 Kgf Min.
 Operation Temperature:-30°C~+80°C
 Contact:C5191
 Gold Flash Over All,Over Niickel
 Insulator:LCP+G.F.(UL94V-0),Black
 Shell:SUS304,Tin Plated Over Nickel
 RoHS Compliant



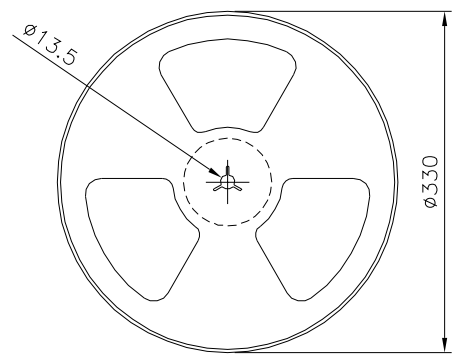
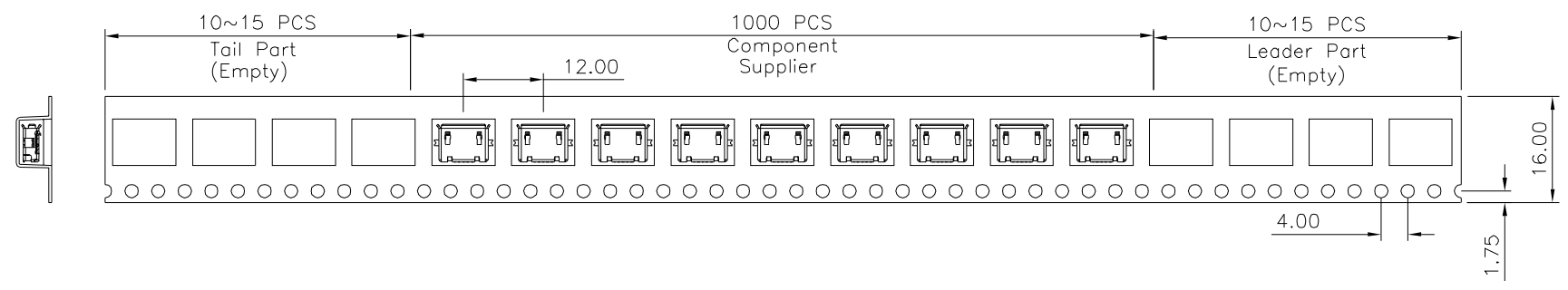
Recommended P.C.B. Layout

4UCON 元化興業股份有限公司
 4UCON TECHNOLOGY INC.

DRAWING No.		APPROVED BY		UNLESS OTHERWISE SPECIFIED TOLERANCES ARE .X ±0.38 .X* ±2* .XX ±0.25 .XX* ±1* .XXX ±0.13 .XXX* ±0.5*
21664		MEI		
		CHECKED BY HZF		
DRAWING BY CYP		A0		
SCALE	NONE	REV.	A0	UNIT mm

NO.	REV.	REVISIONS	CHK	DATE
△ A0		NEW RELEASE	HZF	01/10/2019

SPECIFICATION
Q'ty:1000 PCS/Reel



4UCON 元化興業股份有限公司
4UCON TECHNOLOGY INC.

DRAWING No.
21664

SCALE NONE

APPROVED BY MEI
CHECKED BY HZF
DRAWING BY CYP

REV. A0

UNLESS OTHERWISE SPECIFIED TOLERANCES ARE

.X	± 0.38	X.*	$\pm 3^*$
.XX	± 0.25	.X.*	$\pm 2^*$
.XXX	± 0.13	.XX.*	$\pm 1^*$

UNIT mm

NO.	REV.	REVISIONS	CHK	DATE
\triangle A0		NEW RELEASE	HZF	07/10/2019