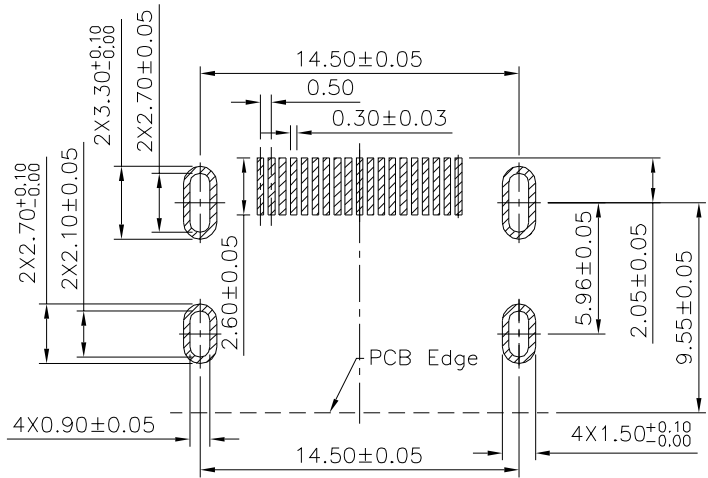
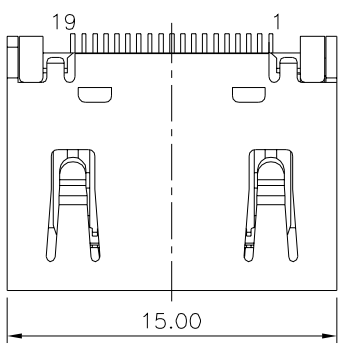
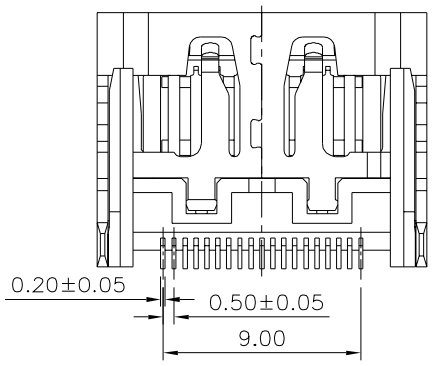
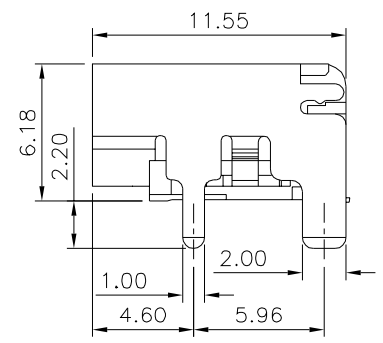
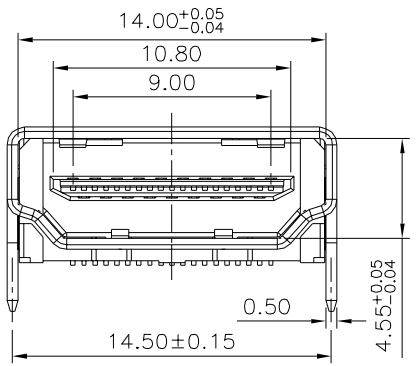


**SPECIFICATION**  
 Current Rating:0.5A  
 Voltage Rating:40V  
 Insulation Resistance:100 Megaohms Min.  
 Contact Resistance:30 Milliohms Max.  
 Operation Temperature:-20°C~+85°C  
 Insert Force:44.1N Max.  
 Extract Force:9.8~44.1N Max.  
 Durability:10000 Cycles  
 Insulator:LCP(UL94V-0),Black  
 Contact:Brass  
 Gold Flash On Contact Area,  
 Tin Plated On Solder Tails,Over Nickel  
 Shell:Brass,Nickel Plated  
 RoHS Compliant



Recommended P.C.B. Layout(Thickness=1.60mm)  
 (Tolerance Unspecified:±0.10mm)



**4UCON** 元化興業股份有限公司  
 4UCON TECHNOLOGY INC.

DRAWING No.		APPROVED BY		UNLESS OTHERWISE SPECIFIED TOLERANCES ARE .X ±0.25 X.* ±3* .XX ±0.15 .X.* ±2* .XXX ±0.10 .XX.* ±1*
21672		MEI		
		CHECKED BY HZF		
DRAWING BY CYP		BO		
SCALE	NONE	REV.	BO	UNIT mm

NO.	REV.	REVISIONS	CHK	DATE
△ BO		NEW RELEASE	HZF	07/24/2019