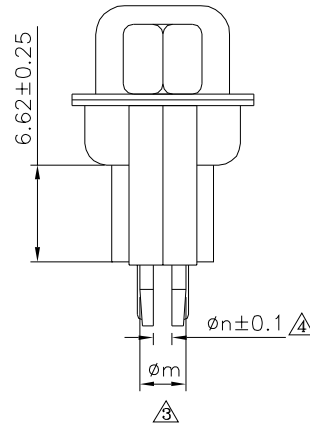
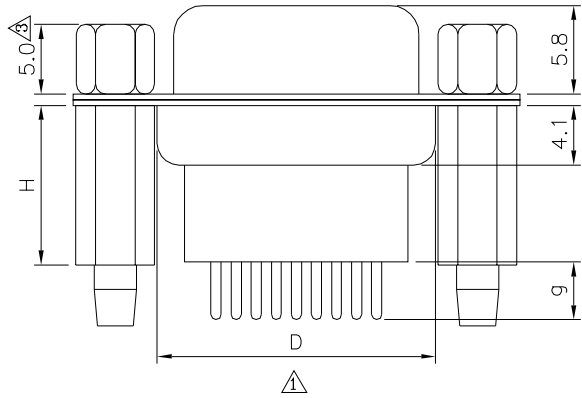


△ SPECIFICATION

- Current Rating: 3 Amp
- Voltage Rating: 250V AC/RMS 60Hz
- △ Contact Resistance: 20 Milliohms Max. At 1A DC
- Insulation Resistance: 1000 Megaohms At 500V DC
- Dielectric Withstanding Voltage: 1000V AC/RMS 60Hz For 1 Minute
- Insulator: PBT+G.F.(UL94V-0), Black
- Contact: Brass
- Gold Flash On Contact Area, Tin Plated On Solder Tails, Over Nickel
- Shell: Steel, Tin Plated Over Copper
- Boardlock: Brass, Tin Plated
- △ Screwlock: Steel, Nickel Plated
- RoHS Compliant



Pin	A	B	C	D	E
9	30.81	24.99	16.33	19.20	11.08
15	39.20	33.30	24.70	27.70	19.39
25	53.05	47.04	38.40	41.10	33.24
37	69.40	63.50	55.80	57.30	49.86

Item No.	H	g	m	n
22609	11.1	3.6	3.0	1.5
21685	9.6	3.6	3.2	1.8

4UCON 元化興業股份有限公司
4UCON TECHNOLOGY INC.

DRAWING No. △

21685

APPROVED BY

MEI

CHECKED BY

HZF

DRAWING BY

GAO

UNLESS OTHERWISE SPECIFIED TOLERANCES ARE

△ X. ± 0.38 X.* $\pm 3^\circ$
.X ± 0.25 .X* $\pm 1^\circ$
.XX ± 0.13

△ B4 Modify Data

△ B3 Modify Data

△ B2 Modify Data

△ B1 Modify Data

△ B0 NEW RELEASE

HZF 09/14/2022

HZF 05/27/2021

HZF 04/19/2013

HZF 08/05/2010

HZF 05/20/2009

SCALE

NONE

REV.

B4

UNIT

mm



NO. REV.

REVISIONS

CHK

DATE