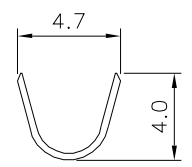
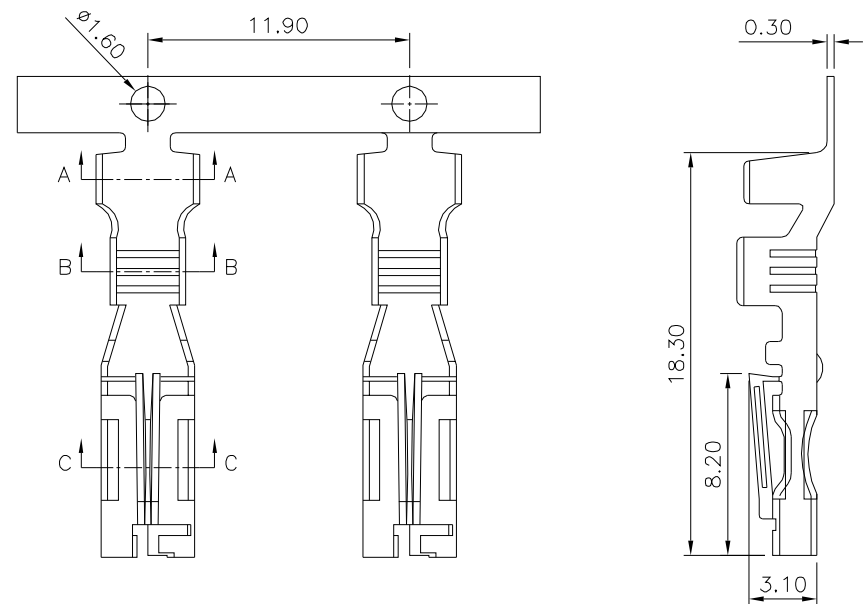
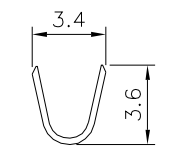


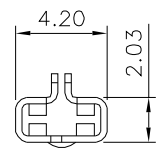
SPECIFICATION
 Electronic Rating: 600V/18A AC/DC
 Applicable Wire: #18~#14
 Material: Brass, Tin Plated Over Nickel
 Q'ty: 4000 PCS/Reel
 RoHS Compliant



Section A-A



Section B-B



Section C-C

4UCON 元化興業股份有限公司
 4UCON TECHNOLOGY INC.

| | | | | |
|-------------|------|-------------|-----|--|
| DRAWING No. | | APPROVED BY | | UNLESS OTHERWISE SPECIFIED TOLERANCES ARE .X ±0.30 .XX ±0.20 .XXX ±0.10 ANG. ±2° |
| 21706 | | MEI | | |
| | | CHECKED BY | HZF | |
| | | DRAWING BY | CYP | |
| SCALE | NONE | REV. | A0 | UNIT mm |

| | | | | |
|------|------|-------------|-----|------------|
| NO. | REV. | REVISIONS | CHK | DATE |
| △ A0 | | NEW RELEASE | HZF | 03/06/2019 |