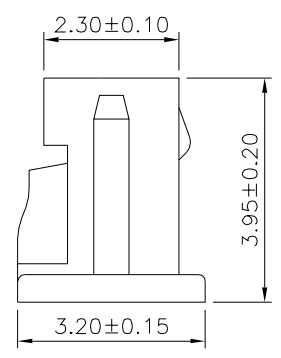
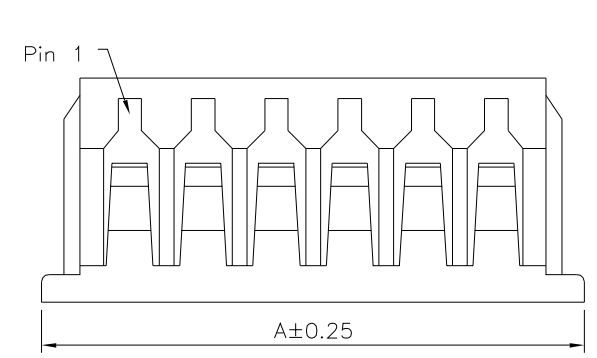
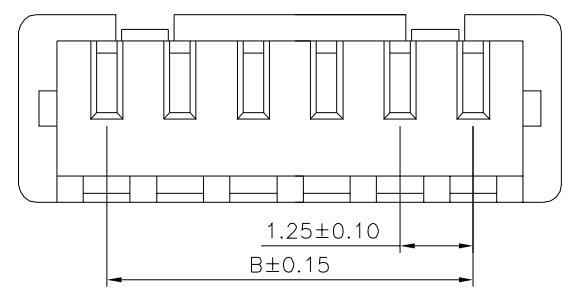


SPECIFICATION

Current Rating:1.0A AC/DC
 Voltage Rating:125V AC/DC
 Contact Resistance:20 Milliohms Max.
 Withstanding Voltage:250V AC/Minute
 Insulation Resistance:100 Megaohms Min.
 Temperature Range:-25°C~+85°C
 Insulator:PA66(UL94V-0)
 RoHS Compliant



Pin	A	B
02	4.25	1.25
03	5.50	2.50
04	6.75	3.75
05	8.00	5.00
06	9.25	6.25
07	10.50	7.50
08	11.75	8.75
09	13.00	10.00
10	14.25	11.25
11	15.50	12.50
12	16.75	13.75
13	18.00	15.00
14	19.25	16.25
15	20.50	17.50

4UCON 元化興業股份有限公司
 4UCON TECHNOLOGY INC.

DRAWING No. 21728
 SCALE NONE

APPROVED BY MEI
 CHECKED BY HZF
 DRAWING BY CYP
 REV. A1

UNLESS OTHERWISE SPECIFIED TOLERANCES ARE
 X. ±0.30
 .X ±0.25
 .XX ±0.20
 .XXX ±0.05
 ANG. ±1°
 UNIT mm

NO.	REV.	REVISIONS	CHK	DATE
△	A1	Modify Data	HZF	04/17/2019
△	A0	NEW RELEASE	HZF	12/30/2015