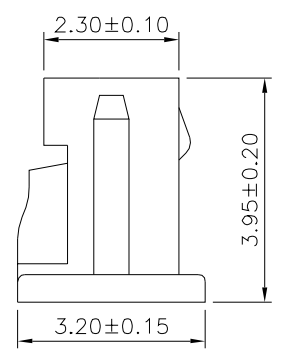
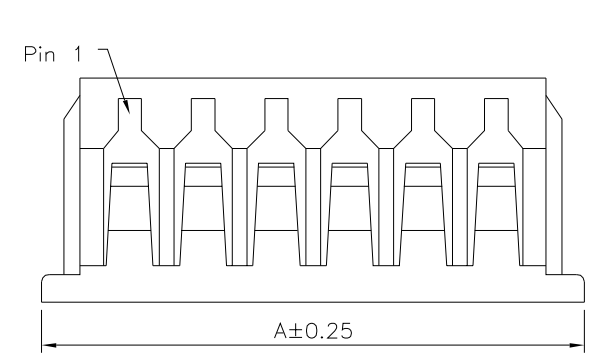
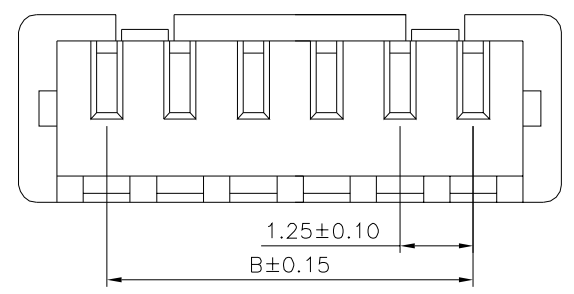


**SPECIFICATION**

Current Rating:1.0A AC/DC  
 Voltage Rating:125V AC/DC  
 Contact Resistance:20 Milliohms Max.  
 Withstanding Voltage:250V AC/Minute  
 Insulation Resistance:100 Megaohms Min.  
 Temperature Range:-25°C~+85°C  
 Insulator:PA66(UL94V-0)  
 RoHS Compliant



Pin	A	B
02	4.25	1.25
03	5.50	2.50
04	6.75	3.75
05	8.00	5.00
06	9.25	6.25
07	10.50	7.50
08	11.75	8.75
09	13.00	10.00
10	14.25	11.25
11	15.50	12.50
12	16.75	13.75
13	18.00	15.00
14	19.25	16.25
15	20.50	17.50

**4UCON** 元化興業股份有限公司  
 4UCON TECHNOLOGY INC.

DRAWING No. 21729  
 SCALE NONE

APPROVED BY MEI  
 CHECKED BY HZF  
 DRAWING BY CYP  
 REV. A1

UNLESS OTHERWISE SPECIFIED TOLERANCES ARE  
 X. ±0.30  
 .X ±0.25  
 .XX ±0.20  
 .XXX ±0.05  
 ANG. ±1°  
 UNIT mm

NO.	REV.	REVISIONS	CHK	DATE
△	A1	Modify Data	HZF	04/17/2019
△	A0	NEW RELEASE	HZF	12/30/2015