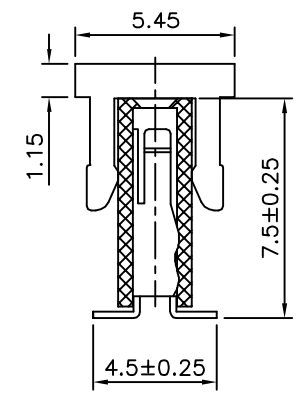
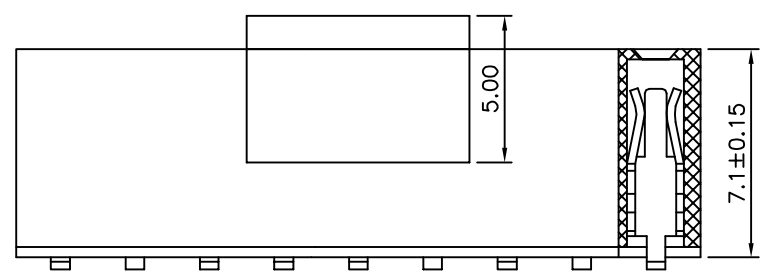
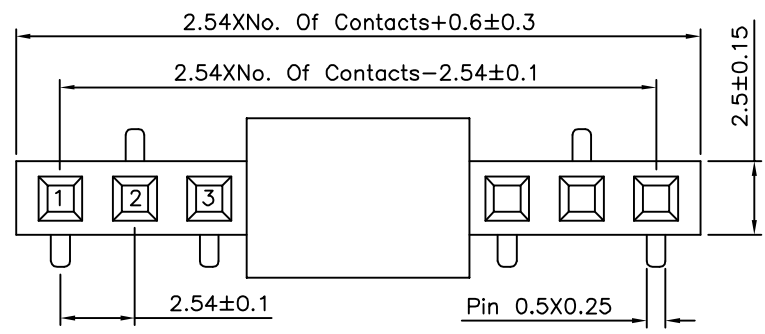


Recommended P.C.B. Layout (Top View)
(PCB Board Tolerance ± 0.05)



SPECIFICATION

Current Rating:3A
 Withstand Voltage:1000V AC
 Contact Resistance:20 Milliohms Max.
 Insulation Resistance:1000 Megaohms Min.
 Operating Temperature:-40°C~+105°C
 Insulator:PA6T(UL94V-0),Black
 Contact:Phosphor Bronze,Gold Flash Over Nickel
 RoHS Compliant

4UCON 元化興業股份有限公司
 4UCON TECHNOLOGY INC.

DRAWING No.		APPROVED BY		UNLESS OTHERWISE SPECIFIED TOLERANCES ARE
21755		EMILY		
		CHECKED BY		
		HZF		
		DRAWING BY		X: ± 0.25 X: $\pm 2'$
		HAO		.X ± 0.20 .X: $\pm 1.5'$
				.XX ± 0.15 .XX: $\pm 1'$
				.XXX ± 0.10 .XXX: $\pm 0.5'$
SCALE	NONE	REV.	A0	UNIT
				mm

NO.	REV.	REVISIONS	CHK	DATE
△ A0		NEW RELEASE	HZF	05/12/2014