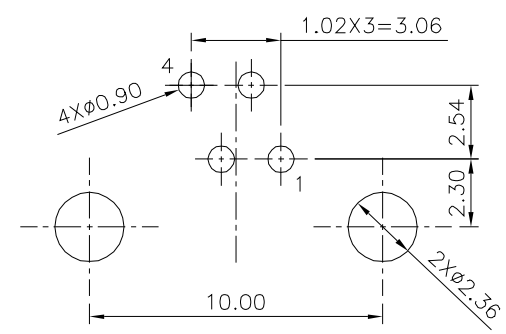
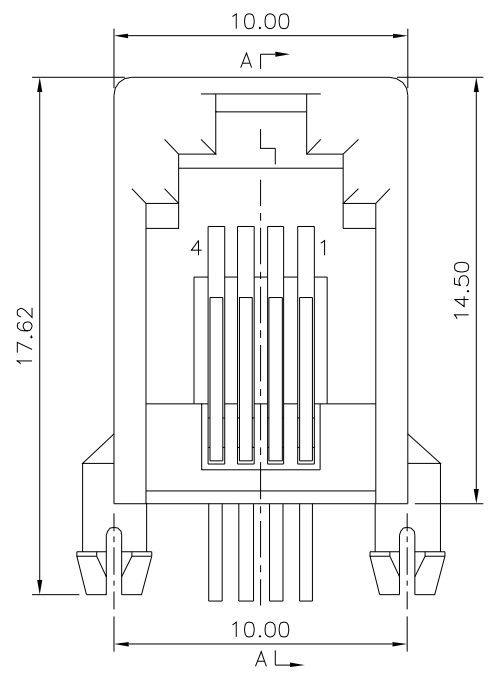
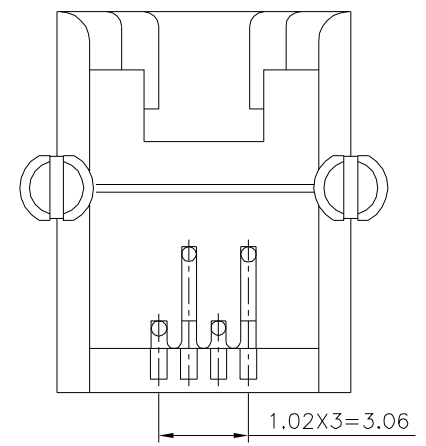


Section A-A



Recommended P.C.B. Layout
Thickness=1.6mm



SPECIFICATION
 Voltage Rating:125V AC RMS
 Current Rating:1.5 Amp
 Dielectric Strength:1000V AC RMS 60 Hz 1 Minute
 Contact Resistance:20 Milliohms Max.
 Insulation Resistance:1000 Megaohms Min. At 500V DC
 Operation Temperature:-40°C~+85°C
 Storage Temperature:-40°C~+85°C
 Relative Humidity:<80%
 Housing:PBT(UL94V-0),Black
 Contact:Phosphor Bronze,∅0.46mm
 Gold Flash Over All,Over Nickel
 Operating Life:750 Cycles Min.
 Mating/Unmating Force:30N Max.
 Retention Strength:50N For 60S±5S
 Mates With Modular Plug Conforming To
 FCC Part 68,Subpart F.
 RoHS Compliant

4UCON 元化興業股份有限公司
 4UCON TECHNOLOGY INC.

DRAWING No.		APPROVED BY		UNLESS OTHERWISE SPECIFIED TOLERANCES ARE 0~15 ±0.15 15~30 ±0.20 30~ ±0.25 ANG. ±1°
21821		MEI		
		CHECKED BY	HZF	
SCALE	NONE	DRAWING BY	SAN	
		REV.	BO	UNIT mm

NO.	REV.	REVISIONS	CHK	DATE
	B0	Modify Data	HZF	04/18/2014
	B0	NEW RELEASE	HZF	04/18/2014