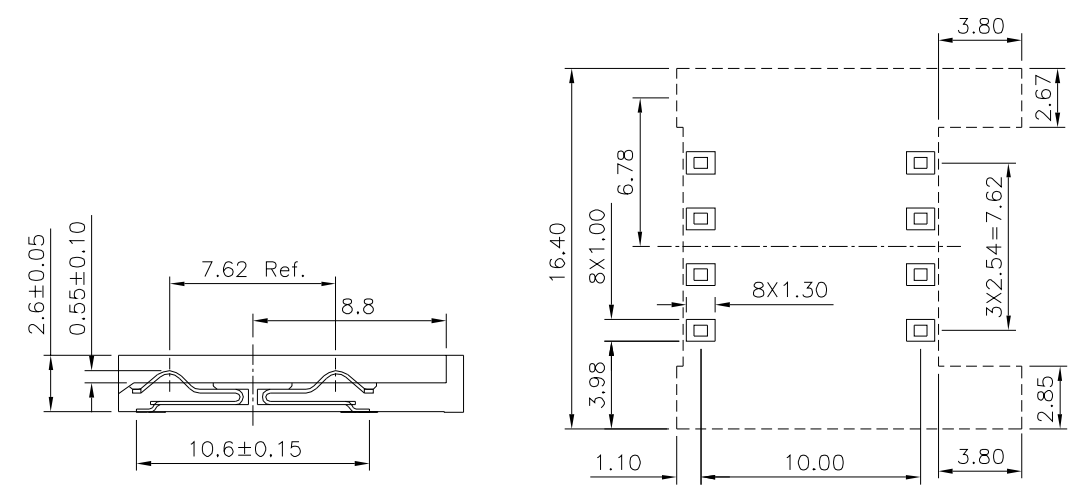


**SPECIFICATION**

1. **Material&Finish**  
Housing:LCP(UL94V-0)  
Contact:Phosphor Bronze,Gold Flash On Contact Area,  
Gold Flash On Solder Tails,Over Nickel
2. **Electrical Characteristics**  
Voltage Current Rating:1A 50V AC  
Contact Withstanding Voltage:500V AC For 1 Minute  
Insulation Resistance:1000 Megaohms Min.
3. **Mechanical Characteristics**  
Durability:5000 Cycles Min.
4. **Environmental Characteristics**  
Operation Range:-40°C~+85°C
5. **RoHS Compliant**



Recommended P.C.B. Layout

**4UCON** 元化興業股份有限公司  
4UCON TECHNOLOGY INC.

DRAWING No.		APPROVED BY		UNLESS OTHERWISE SPECIFIED TOLERANCES ARE .X ±0.25 X.° ±2° .XX ±0.15 .X° ±1° .XXX ±0.10
21853		MEI		
		CHECKED BY	HZF	
		DRAWING BY	CYP	
SCALE	NONE	REV.	A0	UNIT mm

NO.	REV.	REVISIONS	CHK	DATE
△ A0		NEW RELEASE	HZF	09/03/2019