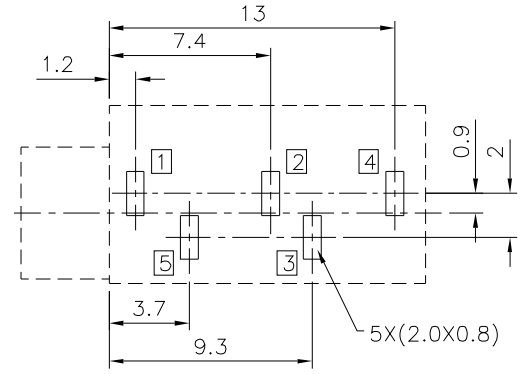
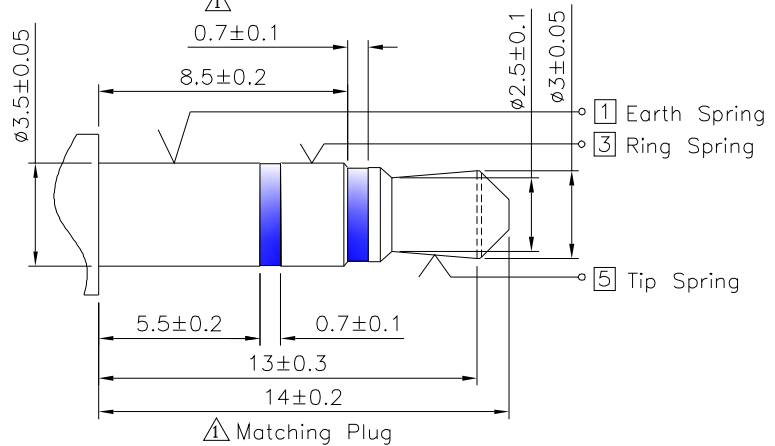
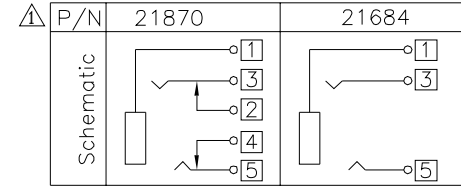
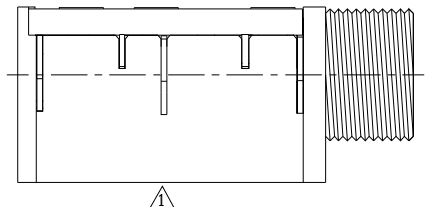


**△ SPECIFICATION**  
 Rating: DC 30V, 0.5A  
 Contact Resistance: 30 Milliohms Max.  
 After Test: 50 Milliohms Max.  
 Insulation Resistance: 100 Megaohms Min. (500V DC)  
 After Test: 50 Megaohms Min.  
 Withstand Voltage: 500V AC  
 Insertion And Extraction Force: 3~30N  
 Life Test: 5000 Cycles Min.  
 Operation Temperature Range: -20°C~+70°C  
 Storage Temperature: -40°C~+85°C  
 RoHS Compliant



○:Item No. □:Terminal No.

Item No.	Description	Q'ty	Material	Remark
11	Nut	1	Brass	Nickel Plated
10	Bushing	1	Brass	Nickel Plated
9	Spring-2	1	Spring Wire	Nickel Plated
8	Spring-1	1	Spring Wire	Nickel Plated
7	Tip Spring	5	Phosphor Bronze	Tin Plated
6	Shunt Terminal	4	Brass	Tin Plated
5	Shunt Terminal	2	Brass	Tin Plated
4	Ring Spring	3	Phosphor Bronze	Silver Plated
3	Earth Terminal	1	Brass	Tin Plated
2	Cover	1	PBT	Black
1	Housing	1	PBT	Black

**4UCON** 元化興業股份有限公司  
 4UCON TECHNOLOGY INC.

DRAWING No.	21870	APPROVED BY	MEI	UNLESS OTHERWISE SPECIFIED TOLERANCES ARE X. ±0.3 .X ±0.3 ANG. ±2°
		CHECKED BY	HZF	
		DRAWING BY	CYP	
SCALE	NONE	REV.	A2	UNIT mm

No.	Description	Q'ty	Material	Remark
A2	Modify Data			HZF 07/23/2019
A1	Modify Data			HZF 12/06/2013
A0	NEW RELEASE			BECKY 12/08/2005
NO. REV.	REVISIONS		CHK	DATE