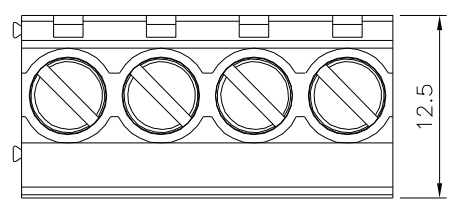
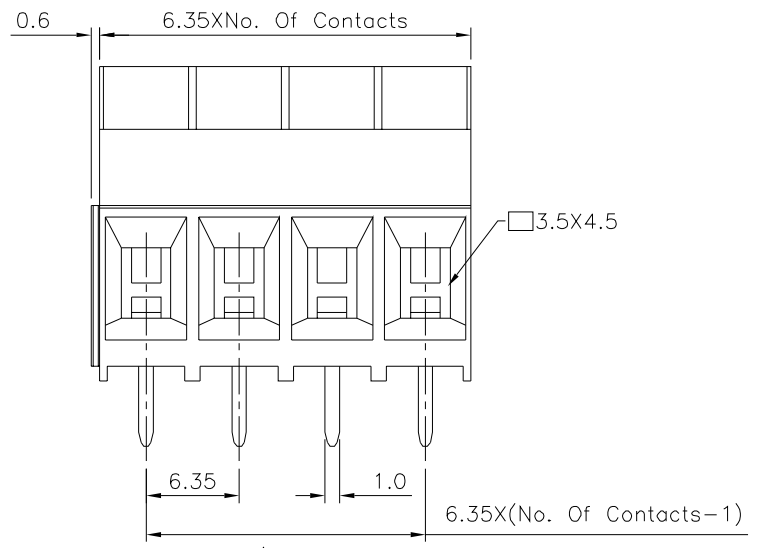


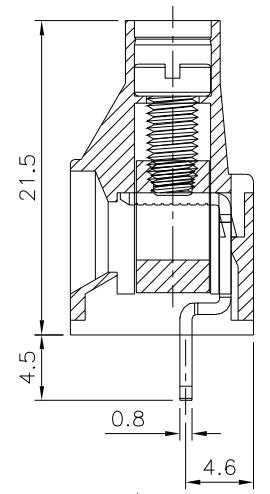
Recommended P.C.B. Layout



△



△



△

△ SPECIFICATION
 Current Rating:30 Amps/Way Max.
 Voltage Rating:300V AC
 Contact Resistance:20 Milliohms Max.
 Operation Temperature:-40°C~+105°C
 Soldering Temperature:250°C±10°C/5 Sec
 Torque:8 Kgf.cm/M3
 Wire Range:10~26 AWG
 Insulator Body(Housing):Polyamide(UL94V-0),Green
 Solder Pin:Copper Alloy,Tin Plated
 Contact(Meral Housing):Copper Alloy,Nickel Plated
 Terminal Screw:Steel Galvanized With Cr3+ Plated
 RoHS Compliant

4UCON 元化興業股份有限公司
 4UCON TECHNOLOGY INC.

DRAWING No. **21890**

APPROVED BY MEI
 CHECKED BY HZF
 DRAWING BY CYP
 REV. A2

UNLESS OTHERWISE SPECIFIED TOLERANCES ARE
 X. ±0.50
 .X ±0.30
 .XX ±0.20
 X.° ±1°
 UNIT mm

NO.	REV.	REVISIONS	CHK	DATE
△	A2	Modify Data	HZF	10/26/2015
△	A1	Modify Data	HZF	02/02/2012
△	A0	NEW RELEASE	HZF	06/26/2010