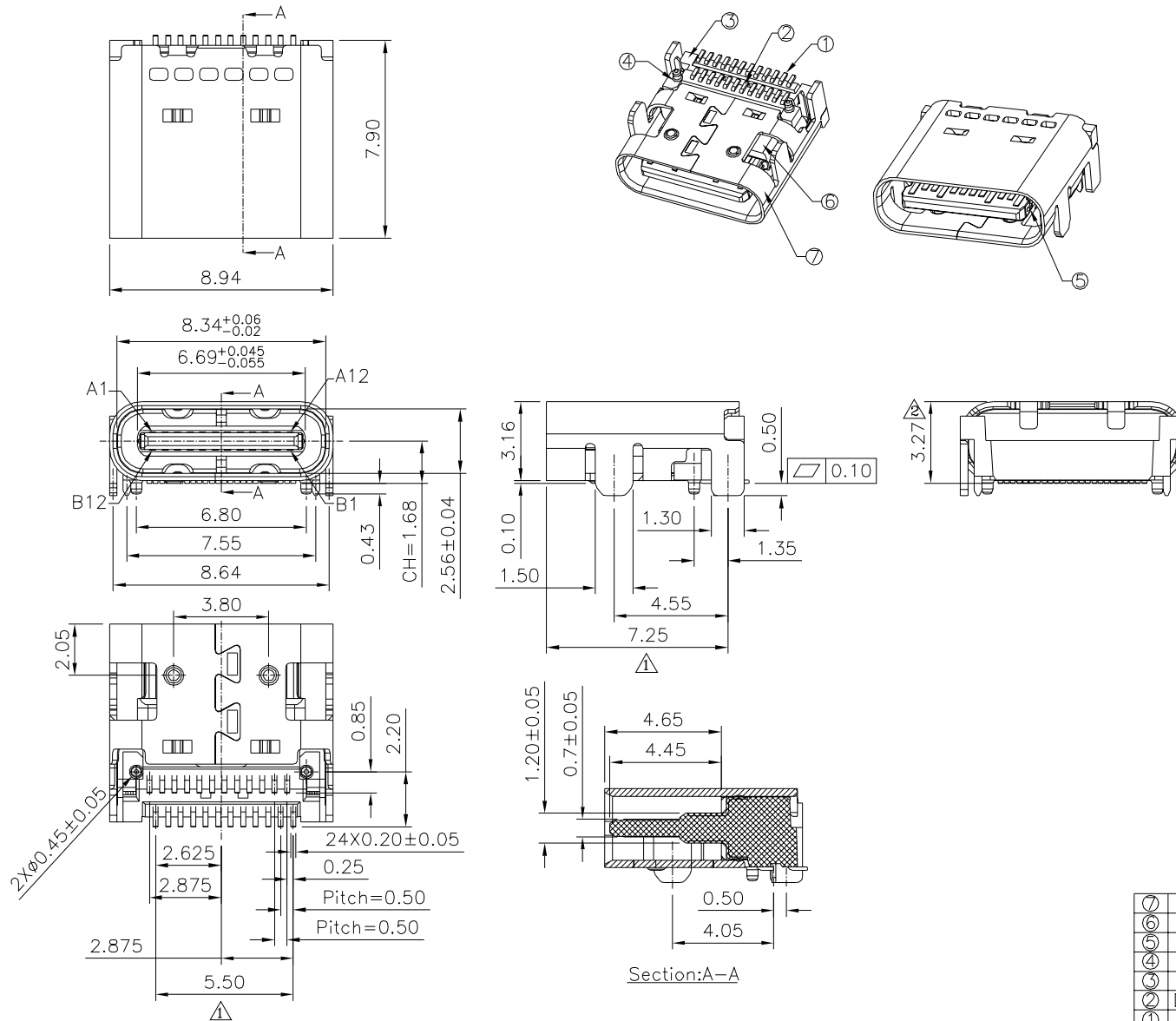


**△ SPECIFICATION**

Current Rating:5.0A Max. For VBUS Pins;  
 1.25A For VCONN Pin And GND Pins;  
 0.25A For All Of Other Pins  
 Voltage Rating:20V AC/DC(RMS. Max.)  
 Withstanding Voltage:100V AC/Minute  
 Contact Resistance:40 Milliohms Max. Initial  
 50 Milliohms Max. After Test  
 Insulation Resistance:100 Megaohms Min.  
 Operation Temperature:-25°C~+85°C  
 Insertion Force:0.5~2.0kgf  
 Removal Force:0.8kgf~2.0kgf  
 Durability:10000 Cycles  
 IR Reflow:The Peak Temperature On The Board  
 Shall Be Maintained For 10 Seconds At 260°C.  
 RoHS Compliant



No.	Description	Material	Q'ty	Remark	
⑦	Shell	Stainless Steel	1	Nickel Plated Over All	
⑥	EMI	Stainless Steel	1	Nickel Plated Over All	
⑤	Shield	Stainless Steel	1	Tin Plated Over Nickel	
④	Insulator 2	LCP,UL94V-0	1	Black	
③	Insulator 1	LCP,UL94V-0	1	Black	
②	Down Contact	Copper Alloy	12	Gold Flash On Contact Area,Tin	
①	Top Contact	Copper Alloy	12	Plated On Solder Tails,Over Nickel	
	No.	Description	Material	Q'ty	Remark

**4UCON** 元化興業股份有限公司  
 4UCON TECHNOLOGY INC.

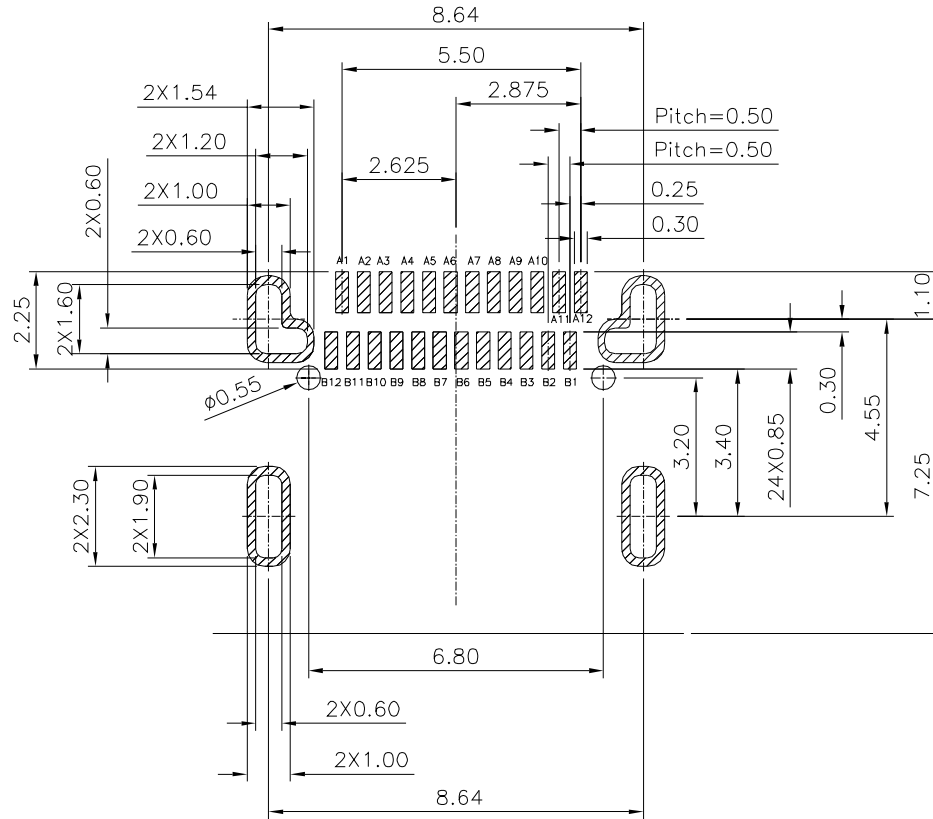
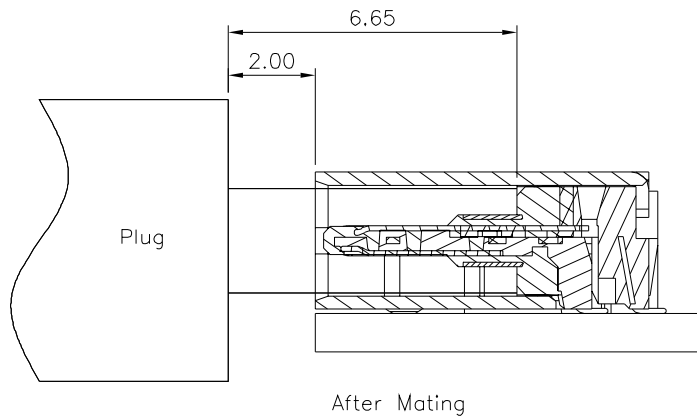
DRAWING No.  
 21917

APPROVED BY  
 MEI  
 CHECKED BY  
 HZF  
 DRAWING BY  
 LZX

UNLESS OTHERWISE SPECIFIED TOLERANCES ARE  
 .X ±0.30  
 .XX ±0.25  
 .XXX ±0.10

SCALE NONE REV. A2 UNIT mm

NO.	REV.	REVISIONS	CHK	DATE
△	A2	Modify Data	HZF	01/15/2026
△	A1	Modify Data	HZF	01/10/2024
△	A0	NEW RELEASE	HZF	11/17/2022



⚠ Recommended P.C.B. Layout(Top View)  
P.C.B Thickness:0.60mm (Tolerance±0.05)

⚠ USB Type-C Pin Assignments

A1	A2	A3	A4	A5	A6	A7	A8	A9	A10	A11	A12
GND	TX1+	TX1-	VBUS	CC1	D+	D-	SBU1	VBUS	RX2-	RX2+	GND
GND	RX1+	RX1-	VBUS	SBU2	D-	D+	CC2	VBUS	TX2-	TX2+	GND
B12	B11	B10	B9	B8	B7	B6	B5	B4	B3	B2	B1

**4UCON** 元化興業股份有限公司  
4UCON TECHNOLOGY INC.

DRAWING No.

21917

APPROVED BY

MEI

CHECKED BY

HZF

DRAWING BY

LZX

UNLESS OTHERWISE SPECIFIED TOLERANCES ARE

.X ±0.30  
.XX ±0.25  
.XXX ±0.10

SCALE

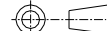
NONE

REV.

A2

UNIT

mm



NO. REV.

REVISIONS

CHK

DATE

⚠ A2 Modify Data HZF 01/15/2026

⚠ A1 Modify Data HZF 01/10/2024

⚠ A0 NEW RELEASE HZF 11/17/2022