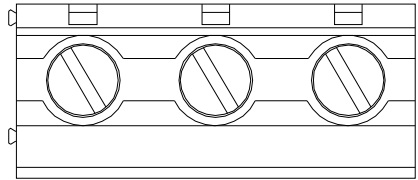
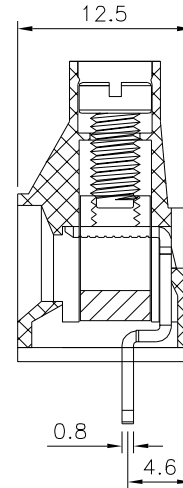
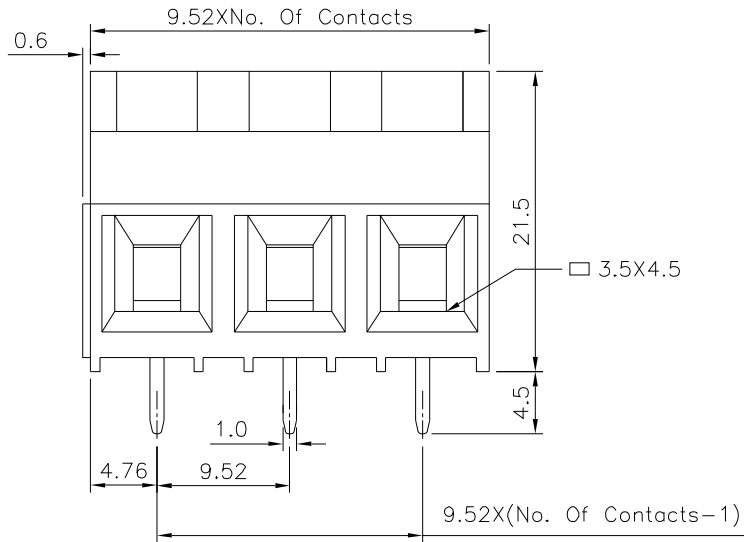


Recommended P.C.B. Layout



SPECIFICATION

Current Rating:30 Amp/Way Max.
 Voltage Rating:300V AC
 Withstanding Voltage:2500V AC For 1 Minute
 Test Time=60 Sec/1 PCS
 Contact Resisitance:20 Milliohms Max.
 Operation Temperature:-40°C~+105°C
 Soldering Reliability:Test Temperature=250°C±10°C
 5 Seconds Max.
 Wire Range:10~26 AWG
 Torque:8 Kgf.cm/M3.5
 Insulator Body:Polyamide(UL94V-0),Green
 Solder Pin:Copper Alloy,Tin Plated
 Contact(Metal Housing):Copper Aolly,Nickel Plated
 Terminal Screw:Steel,Galvanized With Cr3+ Plated
 RoHS Compliant



4UCON 元化興業股份有限公司
 4UCON TECHNOLOGY INC.

DRAWING No.
 21923

APPROVED BY MEI
 CHECKED BY HZF
 DRAWING BY GAO

UNLESS OTHERWISE SPECIFIED TOLERANCES ARE
 X. ±0.50
 .X ±0.30
 .XX ±0.20
 ANG. ±1°

SCALE NONE REV. A0 UNIT mm

NO.	REV.	REVISIONS	CHK	DATE
△	A0	NEW RELEASE	HZF	01/16/2012