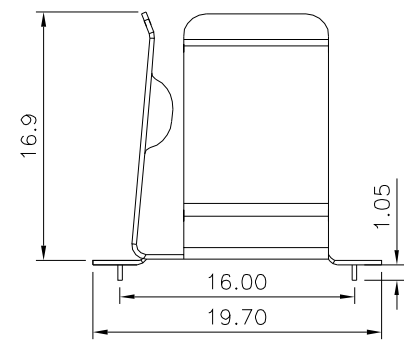
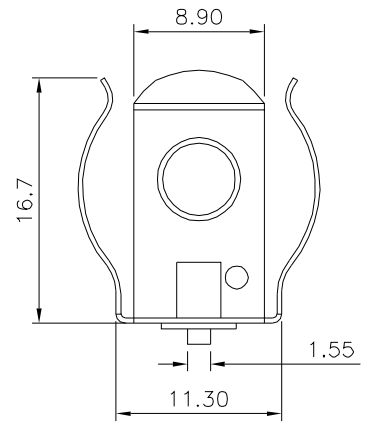
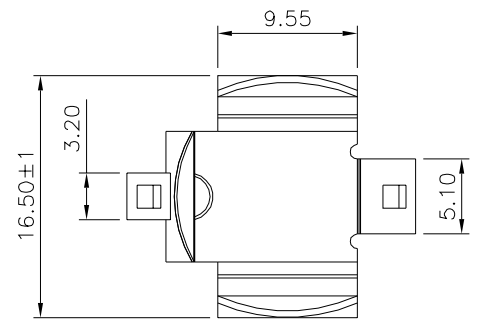


Recommended P.C.B. Layout(Top View)



Battery Size	L
18350	8.25
18650	40.25
CR123A	6.85

RoHS Compliant

No.	Description	Q'ty	Material	Remark
①	Terminal +	1	Steel	Nickel Plated

4UCON 元化興業股份有限公司
4UCON TECHNOLOGY INC.

DRAWING No.		APPROVED BY		UNLESS OTHERWISE SPECIFIED TOLERANCES ARE X. ±0.30 X.* ±1" .X ±0.25 .X.* ±0.5" .XXX ±0.20 .XXX ±0.10
21978		MEI		
		CHECKED BY		
		HZF		
		DRAWING BY		
		CYP		
SCALE	NONE	REV.	A0	UNIT
				mm

NO.	REV.	DESCRIPTION	CHK	DATE
△	A0	NEW RELEASE	HZF	04/15/2020
		REVISIONS		