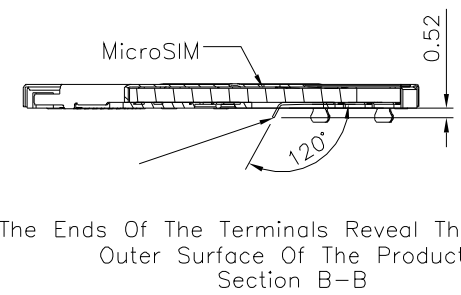
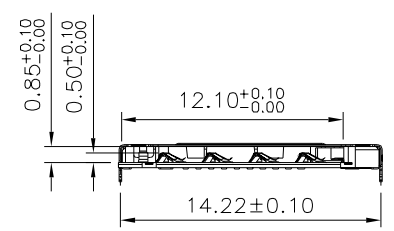
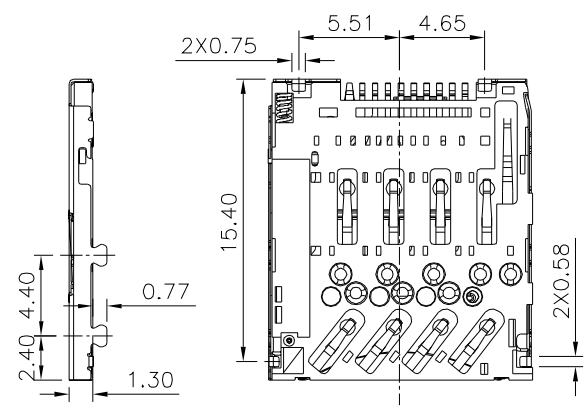
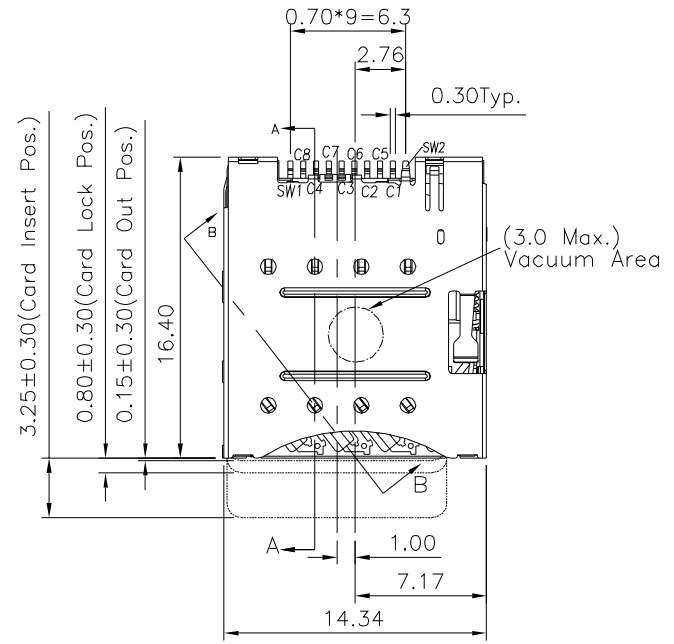
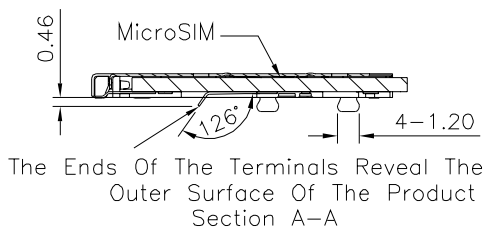


SPECIFICATION

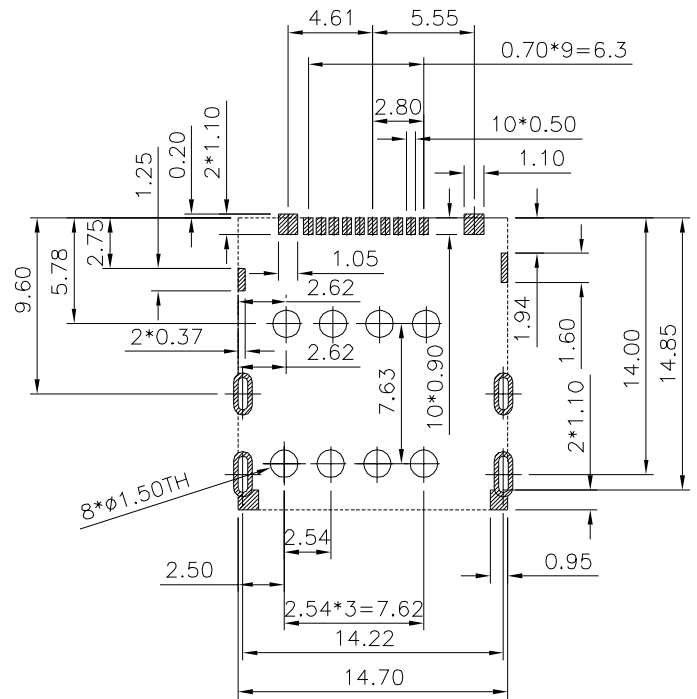
- 1. Material & Finish**
 Insulator: LCP, UL94V-0
 Contact: Phosphor Bronze
 Gold Flash On Contact Area,
 Tin Plated On Solder Tails, Over Nickel
 Shell: Stainless Steel
 Gold Flash On Solder Tails, Over Nickel
- 2. Electrical Characteristics**
 Rated Current: 1A Max.
 Voltage Rating: 30V DC Max.
 Contact Resistance: 100 Milliohms Max.
 Withstanding Voltage: 500V AC
 Insulation Resistance: 1000 Megohms Min.
- 3. Environmental Characteristics**
 Operation Temperature: -20°C ~ +85°C
- 4. Mechanical Characteristics**
 Durability: 5000 Cycles Min.
- 5. RoHS Compliant**



4UCON 元化興業股份有限公司
 4UCON TECHNOLOGY INC.

DRAWING No.		APPROVED BY		UNLESS OTHERWISE SPECIFIED TOLERANCES ARE .X ±0.30 .XX ±0.20 .XXX ±0.10 X.° ±2°
21994		MEI		
		CHECKED BY HZF		
DRAWING BY HAO		UNIT		mm
SCALE	NONE	REV.	AO	

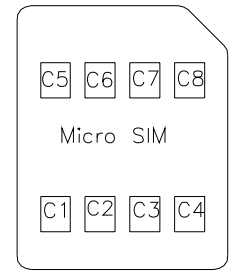
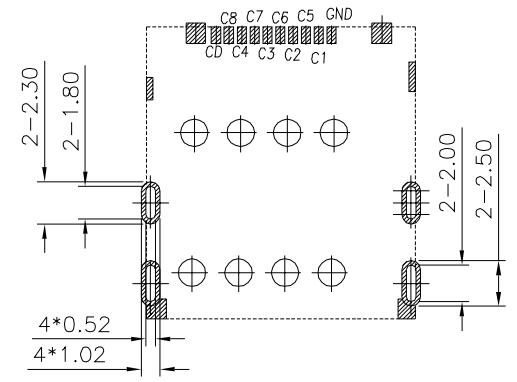
△ AO	NEW RELEASE	HZF	04/30/2020
NO. REV.	REVISIONS	CHK	DATE



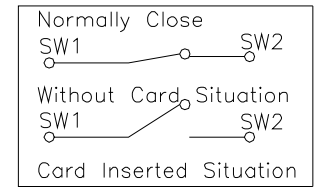
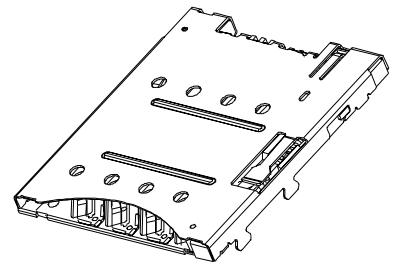
Recommended P.C.B. Layout
Top View(Tolerance±0.05)

□ No Wiring Area
■ :Board Pad

Note 1: ○ :NPTH:No Pad Through Hole



Pin No.	Name
SW2	GND
SW1	C/D
C8	Reserved
C7	I/O
C6	VPP
C5	GND
C4	Reserved
C3	CLK
C2	RST
C1	VCC



Note1:
After Inserting The Card,The Terminal Head Will Reveal The Outer Surface Of The Product,And The PCB Will Need To Be Opened To Avoid The Terminal

4UCON 元化興業股份有限公司
4UCON TECHNOLOGY INC.

DRAWING No.		APPROVED BY		UNLESS OTHERWISE SPECIFIED TOLERANCES ARE .X ±0.30 .XX ±0.20 .XXX ±0.10 X.* ±2°					
21994		MEI							
		CHECKED BY							
		DRAWING BY							
SCALE	NONE	REV.	AO	UNIT	mm	△ AO	NEW RELEASE	HZF	04/30/2020
						NO.REV.	REVISIONS	CHK	DATE