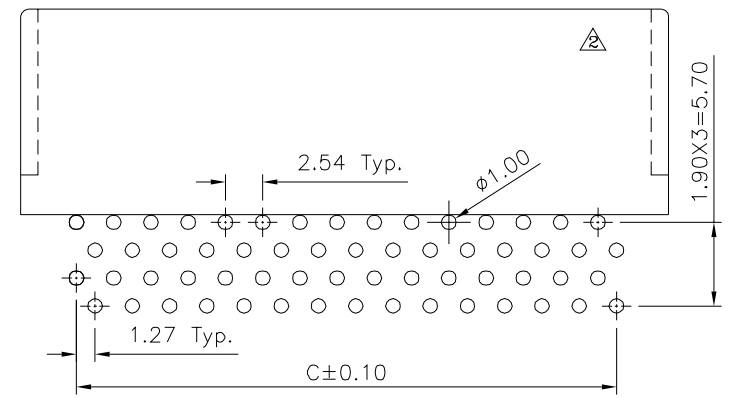
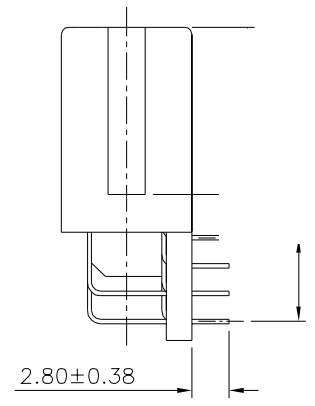
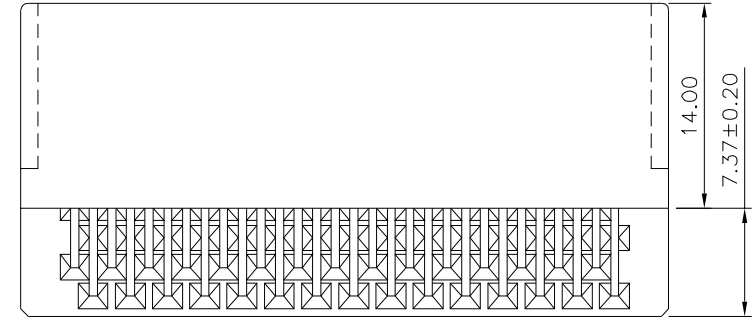
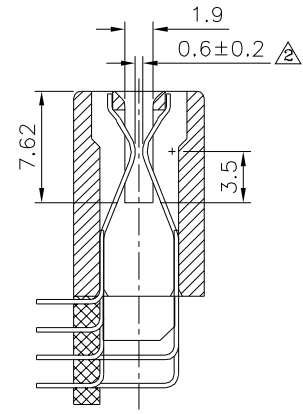
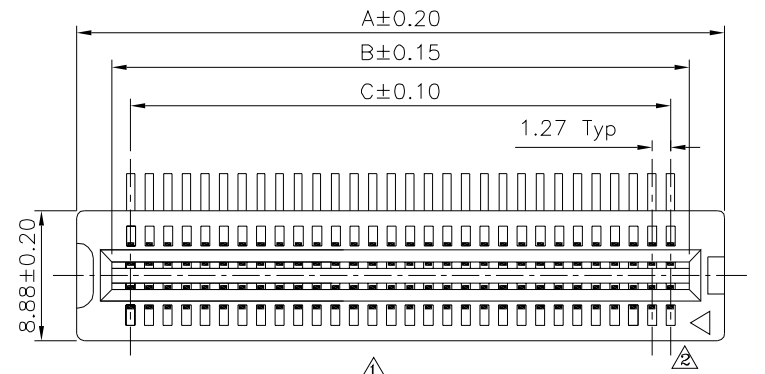


△ SPECIFICATION
 Current Rating:1 Amp
 Voltage Rating:250V AC RMS
 Dielectric Withstanding Voltage:500V AC RMS 60Hz
 For 1 Minute
 Contact Resistance:30 Milliohms Max. At 1 Amp DC
 Insulation Resistance:1000 Megaohms Min.
 At 500V DC
 Temperature Range:-55°C~+85°C
 Retention Force:460 Grams Min. Per Contact
 Insertion Force:230 Grams Max. Per Contact Pair
 Withdrawal Force:15 Grams Min. Per Contact Pair
△ Insulator:PPS+G.F.
 Contact:Brass
 Gold Flash On Contact Area,Tin Plated
 On Solder Tails,Over Nickel
 RoHS Compliant



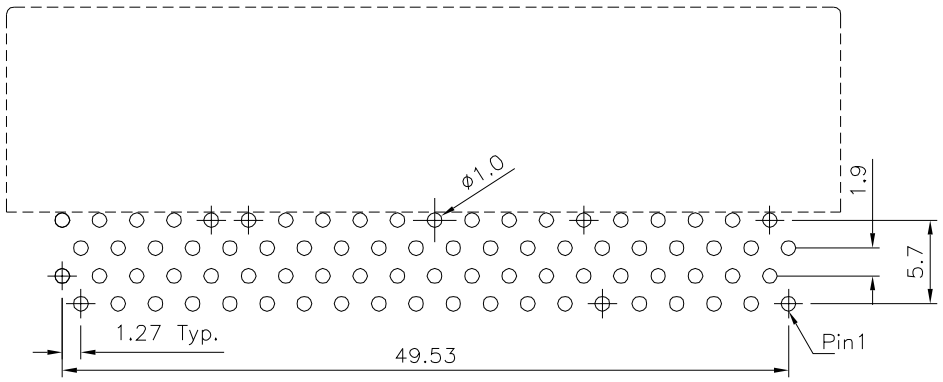
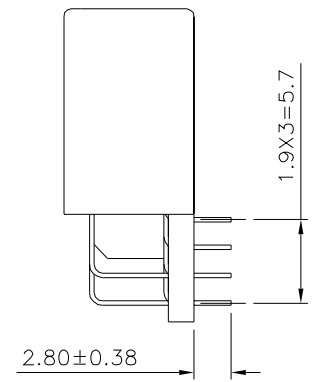
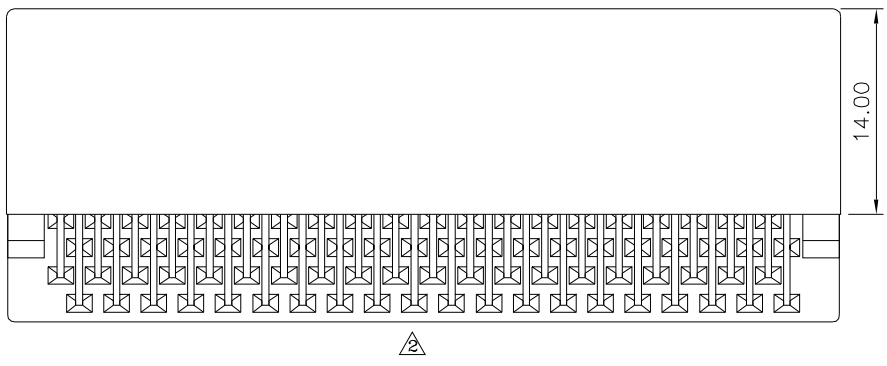
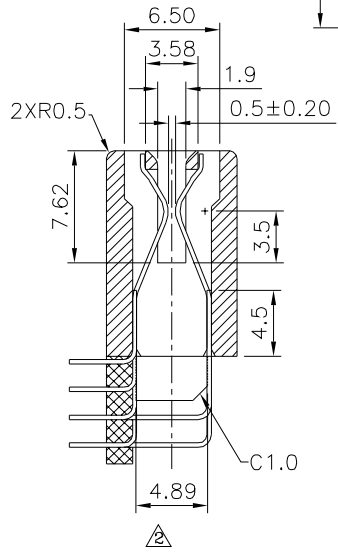
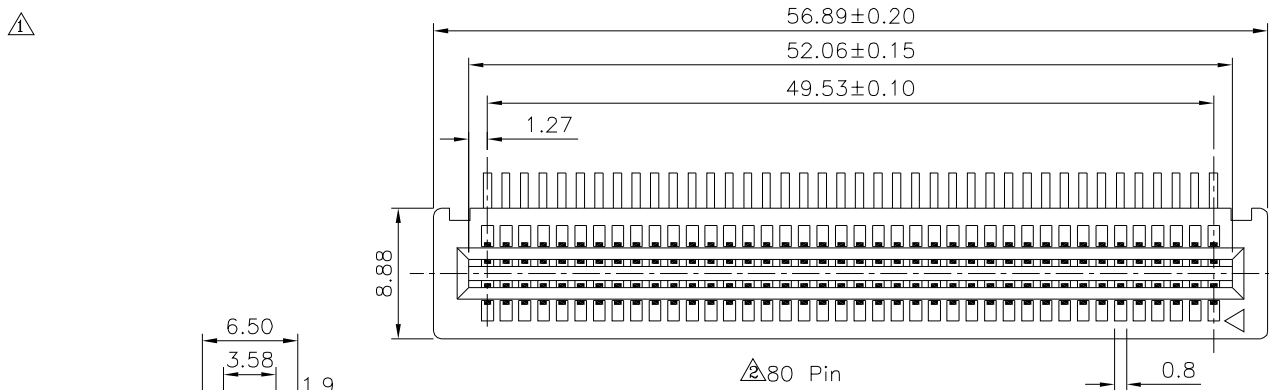
Recommended P.C.B. Layout(Top View)

Pin	A	B	C	Pin	A	B	C
04	8.64	3.81	1.27	34	27.69	22.86	20.32
06	9.91	5.08	2.54	36	28.96	24.13	21.59
08	11.18	6.35	3.81	38	30.23	25.40	22.86
10	12.45	7.62	5.08	42	32.77	27.94	25.40
12	13.72	8.89	6.35	44	34.04	29.21	26.67
14	14.99	10.16	7.62	46	35.31	30.48	27.94
16	16.26	11.43	8.89	48	36.58	31.75	29.21
18	17.53	12.70	10.16	50	37.85	33.02	30.48
20	18.80	13.97	11.43	52	39.12	34.29	31.75
22	20.07	15.24	12.70	54	40.39	35.56	33.02
24	21.34	16.51	13.97	56	41.66	36.83	34.29
26	22.61	17.78	15.24	58	42.93	38.10	35.56
28	23.88	19.05	16.51	100	69.60	64.77	62.23
30	25.15	20.32	17.78	120	82.30	77.47	74.93
32	26.42	21.59	19.05				

4UCON 元化興業股份有限公司
 4UCON TECHNOLOGY INC.

DRAWING No.		APPROVED BY		UNLESS OTHERWISE SPECIFIED TOLERANCES ARE X. ±0.20 .X ±0.15 .XX ±0.10 .XXX ±0.05
22086		MEI		
		CHECKED BY	HZF	
SCALE NONE		DRAWING BY	HAO	
		REV.	A3	
UNIT	mm			

NO.	REV.	REVISIONS	CHK	DATE
△A3		Modify Data	HZF	11/07/2015
△A2		Modify Data	HZF	09/24/2014
△A1		Modify Data	HZF	05/23/2014
△A0		NEW RELEASE	HZF	09/05/2009

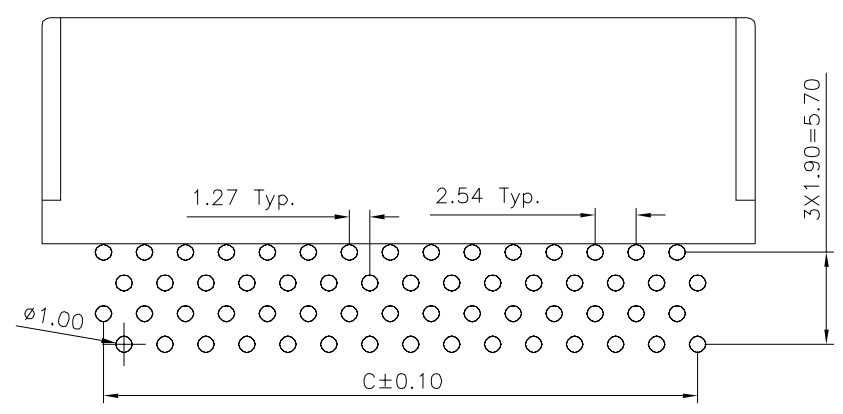
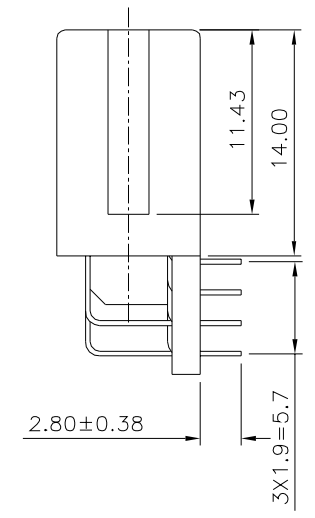
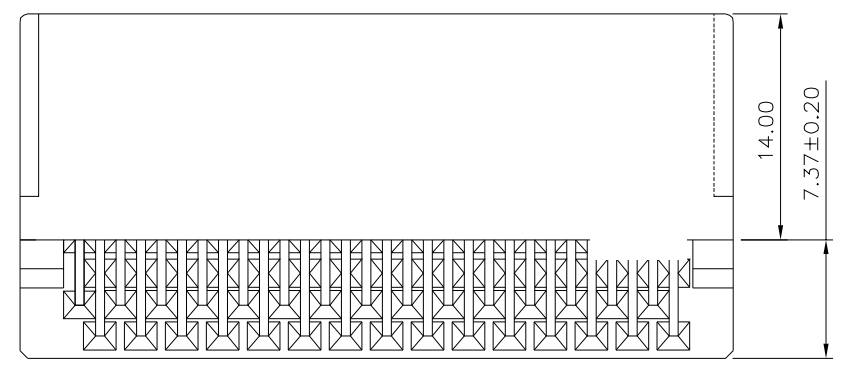
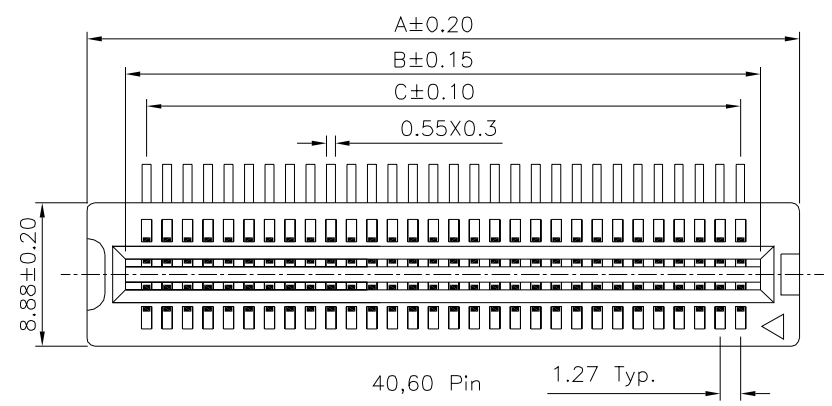
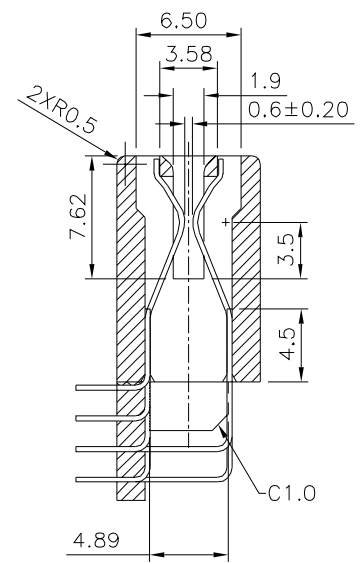


Recommended P.C.B. Layout(Top View)

4UCON 元化興業股份有限公司
4UCON TECHNOLOGY INC.

DRAWING No.		APPROVED BY		UNLESS OTHERWISE SPECIFIED TOLERANCES ARE X. ±0.20 .X ±0.15 .XX ±0.10 .XXX ±0.05
22086		MEI		
		CHECKED BY	HZF	
SCALE		REV.	A3	UNIT
NONE				mm

NO.	REV.	REVISIONS	CHK	DATE
△3	A3	Modify Data	HZF	11/07/2015
△2	A2	Modify Data	HZF	09/24/2014
△1	A1	Modify Data	HZF	05/23/2014
△0	A0	NEW RELEASE	HZF	09/05/2009



Recommended P.C.B. Layout(Top View)

Pin	A	B	C
40	31.50	26.67	24.13
60	44.20	39.37	36.83

4UCON 元化興業股份有限公司
4UCON TECHNOLOGY INC.

DRAWING No.		APPROVED BY		UNLESS OTHERWISE SPECIFIED TOLERANCES ARE .X ±0.20 .X ±0.15 .XX ±0.10 .XXX ±0.05
22086		MEI		
		CHECKED BY	HZF	
SCALE	NONE	DRAWING BY	HAO	
		REV.	A3	UNIT mm

NO.	REV.	REVISIONS	CHK	DATE
△3	A3	Modify Data	HZF	11/07/2015
△2	A2	Modify Data	HZF	09/24/2014
△1	A1	Modify Data	HZF	05/23/2014
△0	A0	NEW RELEASE	HZF	09/05/2009