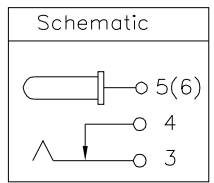
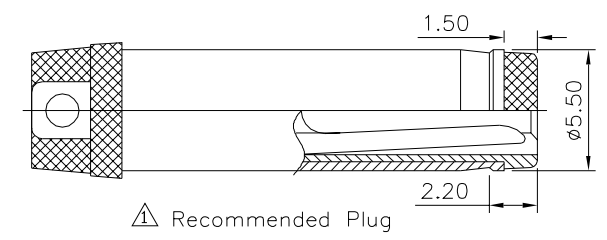
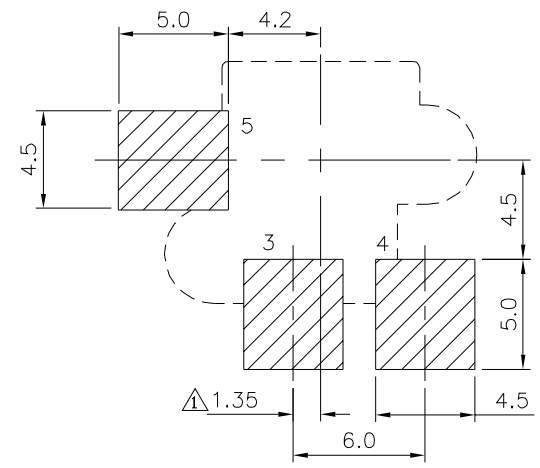
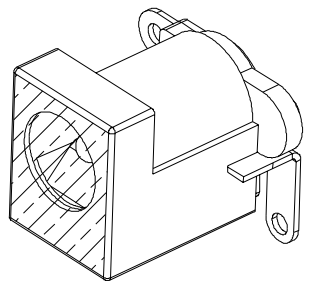
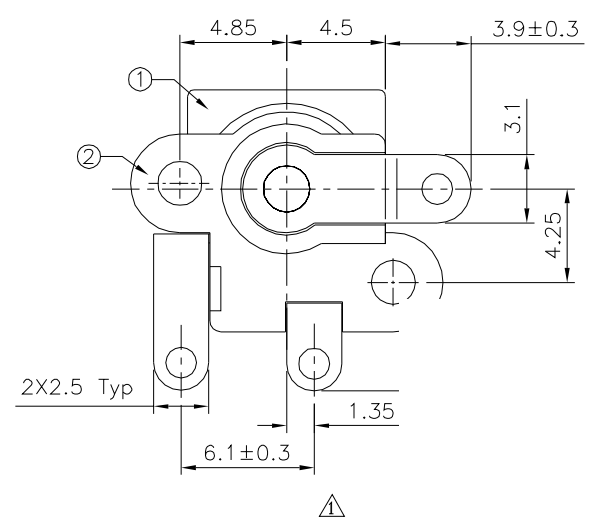
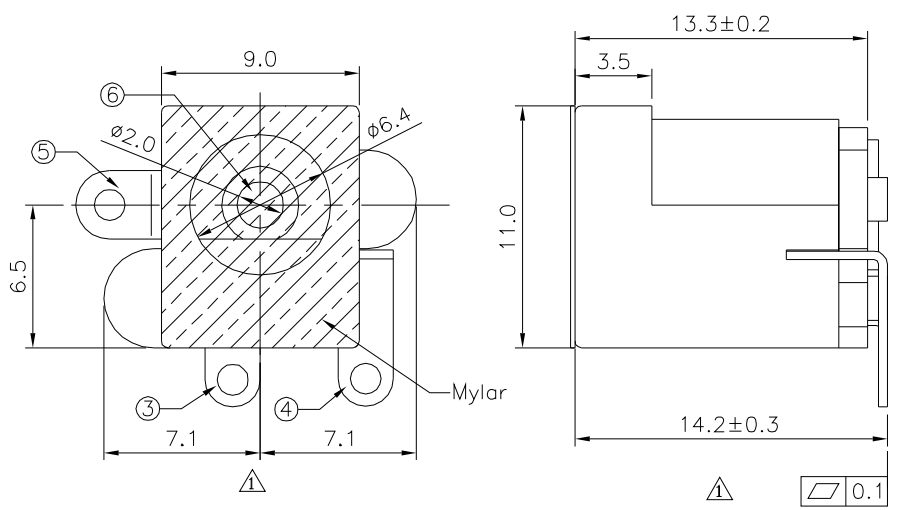


**SPECIFICATION**  
 Rating:DC 30V 3.0A  
 Withstand Voltage:500V AC  
 Contact Resistance:30 Milliohms Max.  
 Insulation Resistance:100 Megaohms Min.  
 At 250V DC  
 Insertion And Extraction Force:3~20N  
 Life Test:5000 Cycles  
 RoHS Compliant



No.	Description	Q'ty	Material	Remark
⑥	Pin	1	Brass	Nickel Plated
⑤	Flat Foot	1	Brass	Silver Plated
④	Curve Piece	1	Brass	Silver Plated
③	Spring Piece	1	Bronze	Silver Plated
②	Cover	1	PA9T	
①	Housing	1	PA9T	

Recommended P.C.B. Layout(Top View)

**4UCON** 元化興業股份有限公司  
 4UCON TECHNOLOGY INC.

DRAWING No.		APPROVED BY		UNLESS OTHERWISE SPECIFIED TOLERANCES ARE X. ±0.15 .X ±0.15 ANG. ±1.5°
22103		MEI		
		CHECKED BY HZF		
SCALE NONE		DRAWING BY CYP		UNIT mm
REV. A1				

NO.	REV.	REVISIONS	CHK	DATE
△	A1	Modify Data	HZF	11/24/2018
△	A0	NEW RELEASE	HZF	11/23/2012