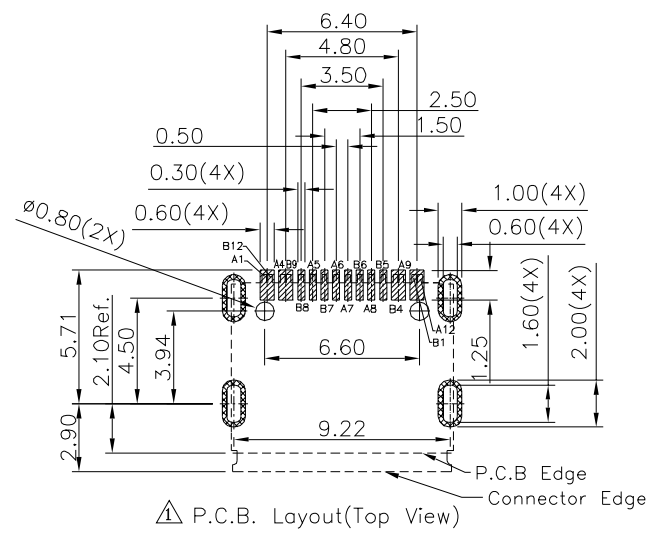
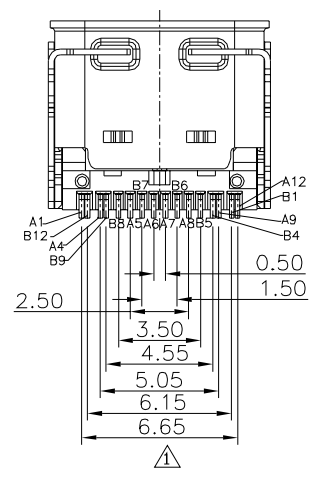
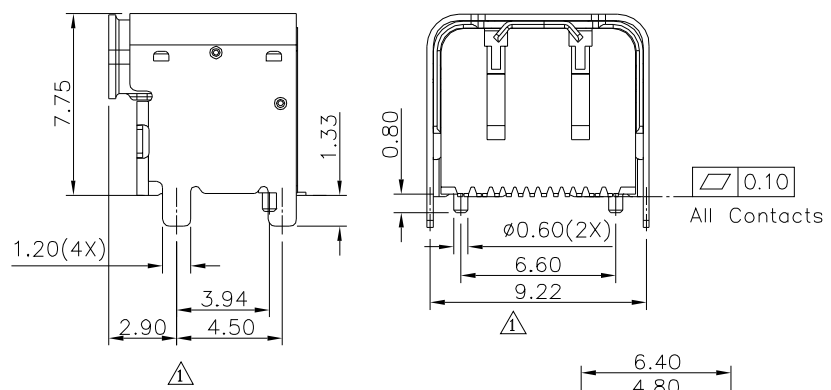
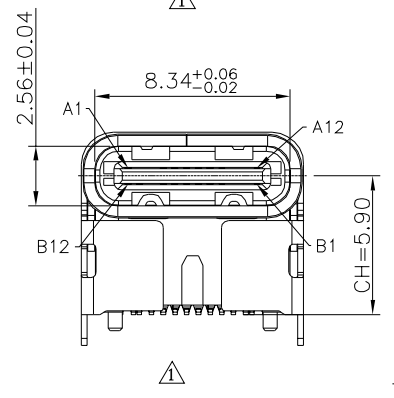
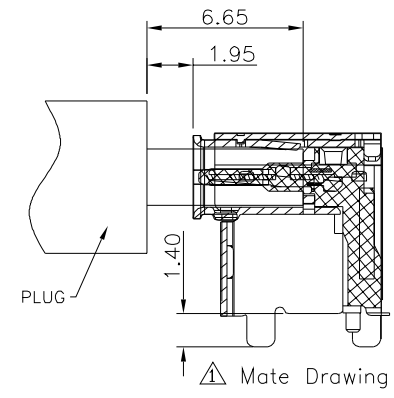
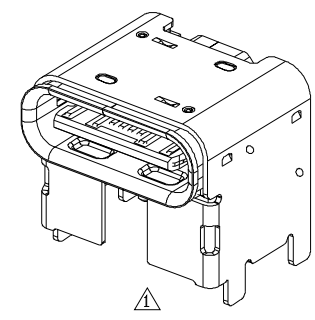
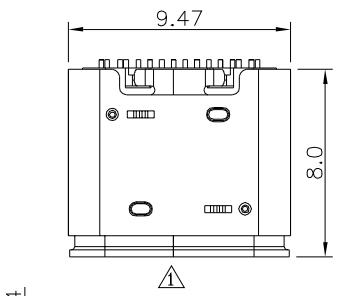


**△ SPECIFICATION**

Current Rating:3.0A  
 Voltage Rating:5.0V  
 Insulation Resistance:100 Megaohms Min.  
 LLCR:VBUS & GND Pins And Other  
 Pins:40 Milliohms/Pin Max.  
 Shield:50 Milliohms/Max.  
 Withstand Voltage:AC 100V For 1 Minute  
 Operating Temperature:-25°C~+85°C  
 Insertion Force:5N~20N  
 Unmating Force:6N~20N  
 Durability:10000 Cycles  
 RoHS Compliant



**Pin Assignments**

A1	GND	B12	GND
A4	VBUS	B9	VBUS
A5	CC1	B8	SBU2
A6	DP1	B7	DN2
A7	DN1	B6	DP2
A8	SBU1	B5	CC2
A9	VBUS	B4	VBUS
A12	GND	B1	GND
Pin	Signal Name	Pin	Signal Name

No.	Description	Q'ty	Material	Remark
①	Housing	1	LCP	Black
②	Contact	12	Copper Alloy	Gold Flash Over Nickel
③	Contact	12	Copper Alloy	Gold Flash Over Nickel
④	MD	1	LCP	Black
⑤	Shield Plate	1	Stainless Steel	---
⑥	Shell	1	Stainless Steel	Nickel Plated
⑦	Upper Shell	1	Stainless Steel	Nickel Plated

**4UCON** 元化興業股份有限公司  
 4UCON TECHNOLOGY INC.

DRAWING No. <b>22129</b>		APPROVED BY MEI		UNLESS OTHERWISE SPECIFIED TOLERANCES ARE X. ±0.30 X.* ±4* .X ±0.25 .X* ±3* .XX ±0.20
		CHECKED BY HZF		
		DRAWING BY CYP		
SCALE	NONE	REV.	A1	UNIT mm

△ A1	Modify Data	HZF	06/25/2021
△ A0	NEW RELEASE	HZF	12/14/2017
NO. REV.	REVISIONS	CHK	DATE