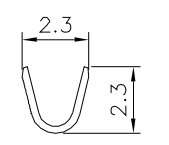
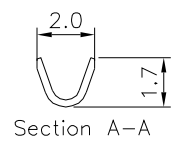
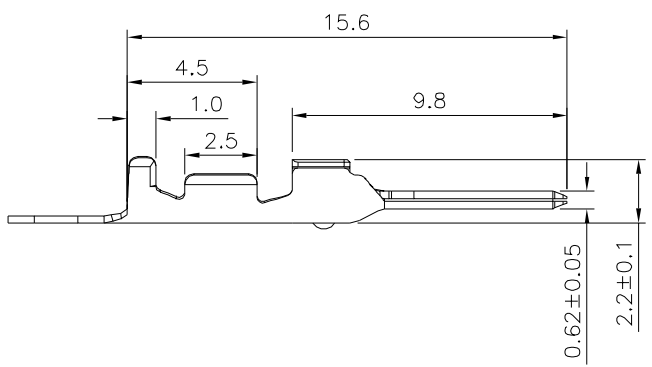
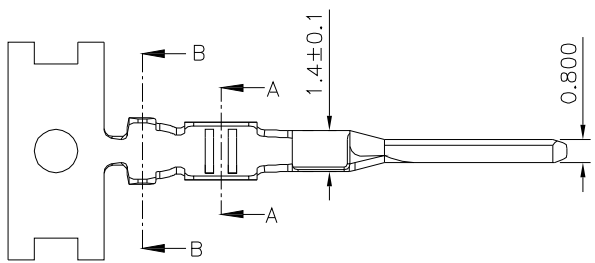


**SPECIFICATION**

Current Rating:3A AC/DC (#22 AWG)  
 Voltage Rating:250V AC/DC  
 Withstand Voltage:1500V AC/Minute  
 Contact Resistance:Initial Value 10 Milliohms Max.  
 After Environmental Testing/20 Milliohms Max.  
 Operation Temperature:-40°C~+105°C  
 (Including Temperature Rise)  
 Contact:Phosphor Bronze,Tin Plated  
 Wire Range:UL1007 #22~#24 AWG  
 Thickness:0.25mm  
 RoHS Compliant



**4UCON** 元化興業股份有限公司  
 4UCON TECHNOLOGY INC.

DRAWING No.		APPROVED BY		UNLESS OTHERWISE SPECIFIED TOLERANCES ARE .X ±0.4 .XX ±0.25 .XXX ±0.08
22246		EMILY		
		CHECKED BY HZF		
SCALE		DRAWING BY		UNIT
NONE	REV.	LZX		mm
	A0			

NO.	REV.	REVISIONS	CHK	DATE
△ A0		NEW RELEASE	HZF	07/22/2021