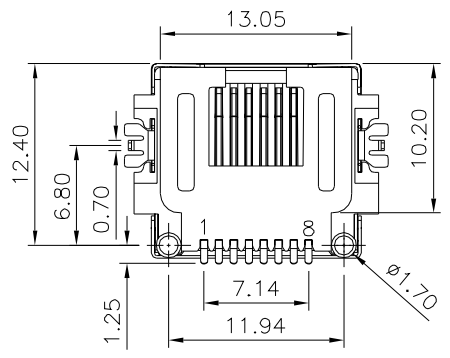
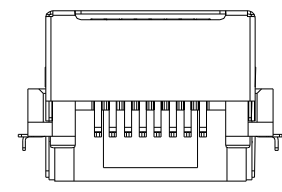
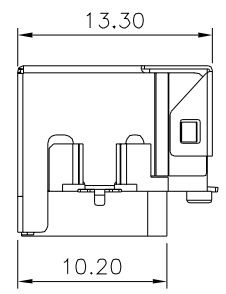
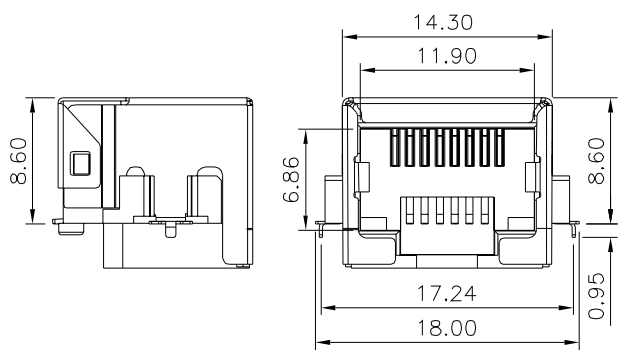


Recommended P.C.B. Layout
Component Side

SPECIFICATION
 Current Rating:1.5 Amp
 Voltage Rating:125V AC
 Insulation Resistance:500 Megaohms Min. Initial
 Contact Resistance: After 500V DC For 1 Minute
 Single Terminal 30 Milliohms Max. Initial
 50 Milliohms Max. After Durability Test
 Dielectric Withstanding Voltage:
 1000V AC RMS. 50Hz Or 60Hz,1 Minute
 ⚠ Operating Temperature: -40°C~+85°C
 Housing:PA9T(UL94V-0),Black
 Contact:Phosphor Bronze
 Gold Flash On Contact Area,
 Tin Plated On Solder Tails,Over Nickel
 Shell:Brass,Nickel Plated
 RoHS Compliant



4UCON 元化興業股份有限公司
4UCON TECHNOLOGY INC.

DRAWING No.		APPROVED BY		UNLESS OTHERWISE SPECIFIED TOLERANCES ARE X. ±0.35 X.* ±3.0° .X ±0.30 X* ±2.0° .XX ±0.25 .XX* ±1.5° .XXX ±0.10 .XXX* ±1.0°
22347		MEI		
		CHECKED BY		
		HZF		
		DRAWING BY		
		LZX		
SCALE	NONE	REV.	A1	UNIT
				mm

NO.	REV.	REVISIONS	CHK	DATE
⚠	A1	Modify Data	HZF	07/12/2022
⚠	A0	NEW RELEASE	HZF	01/06/2022