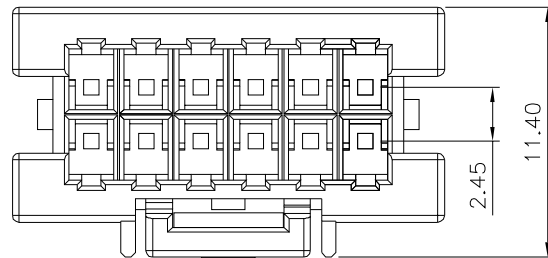
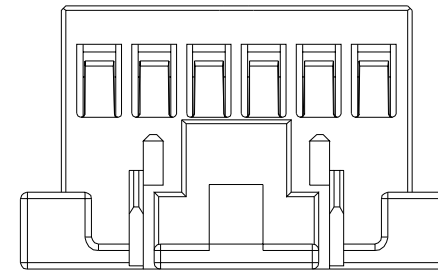
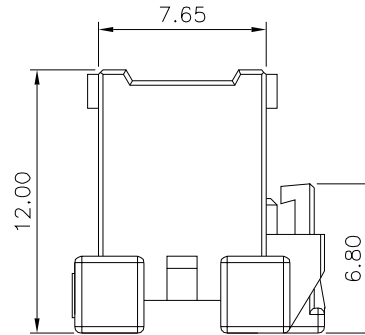
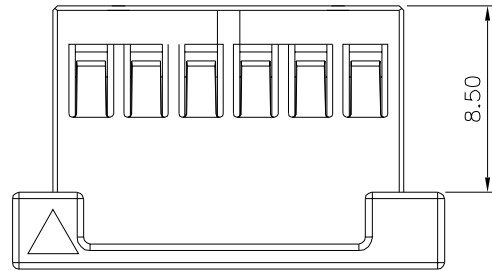
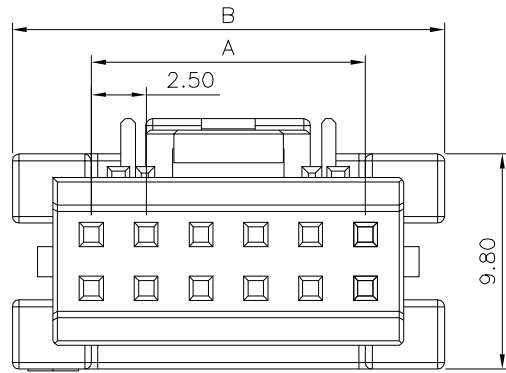


SPECIFICATION

Current Rating:3A AC/DC
 Voltage Rating:250V AC/DC
 Insulator:PA66(UL94V-0),White
 RoHS Compliant



Pin	A	B
08	7.50	14.70
10	10.00	17.20
12	12.50	19.70
14	15.00	22.20
16	17.50	24.70
18	20.00	27.20
20	22.50	29.70
22	25.00	32.20
24	27.50	34.70
26	30.00	37.20
28	32.50	39.70
30	35.00	42.20
32	37.50	44.70
34	40.00	47.20
36	42.50	49.70
38	45.00	52.20
40	47.50	54.70

4UCON 元化興業股份有限公司
 4UCON TECHNOLOGY INC.

DRAWING No.		APPROVED BY	
22359		MEI	
		CHECKED BY	
		HZF	
		DRAWING BY	
		CYP	
SCALE	NONE	REV.	A0

UNLESS OTHERWISE SPECIFIED TOLERANCES ARE
 .X ±0.30
 .XX ±0.20
 .XXX ±0.10
 ANG. ±2°

UNIT mm

NO.	REV.	REVISIONS	CHK	DATE
△ A0		NEW RELEASE	HZF	11/23/2015