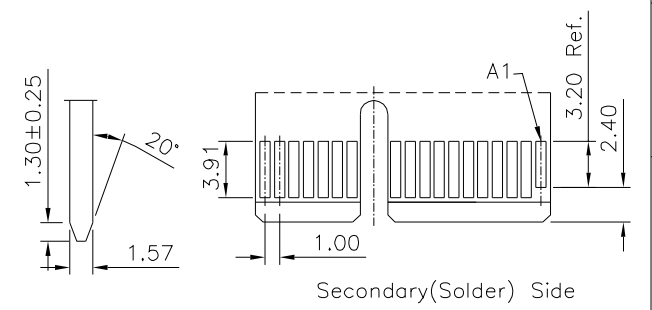
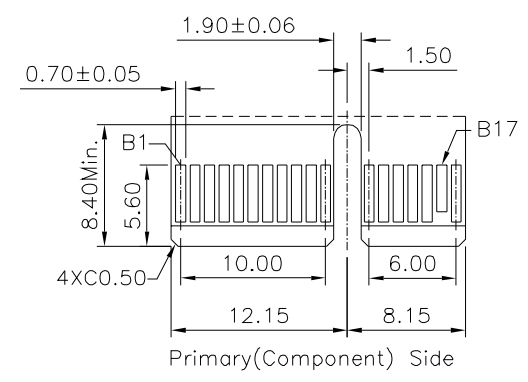
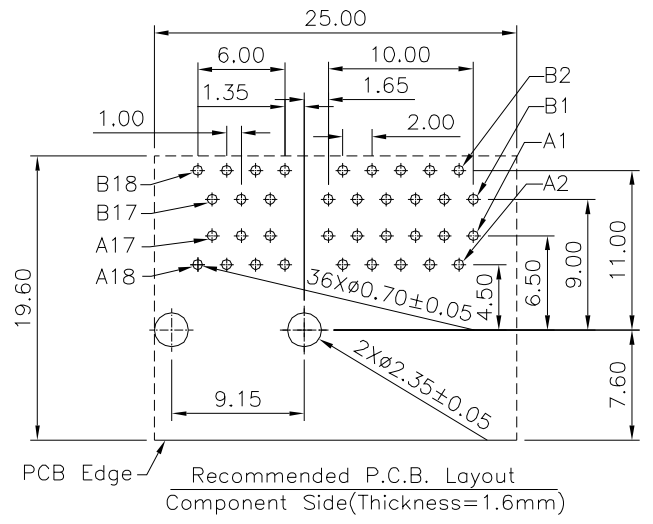
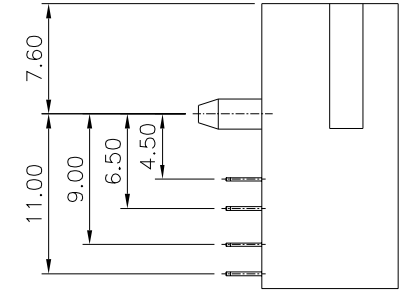
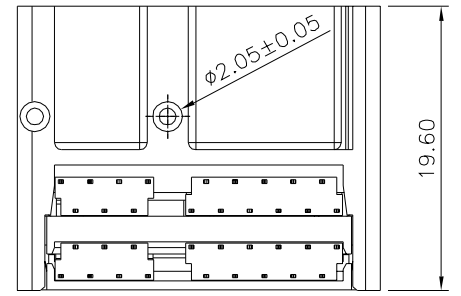


SPECIFICATION

Current Rating:1.1Amp
 Contact Resistance:30 Milliohms Max.
 Insulation Resistance:1000 Megaohms Min. At 500V AC
 Contact Retention Force:3.5N Min. Per Contact
 Insertion Force:1.15N Max. Per Contact Pair
 Withdrawal Force:0.15N Min. Per Contact Pair
 Life Cycles:50 Cycles
 Operation Temperature:-55°C~+105°C
 Housing:LCP(UL94V-0),Black
 Contact:Brass,Gold Flash On Contact Area,
 Tin Plated On Solder Tails,Over Nickel
 RoHS Compliant



4UCON 元化興業股份有限公司
 4UCON TECHNOLOGY INC.

DRAWING No.		APPROVED BY		UNLESS OTHERWISE SPECIFIED TOLERANCES ARE X ±0.35 XX ±0.25 XXX ±0.15 ANG. ±3°
22386		MEI		
		CHECKED BY		
		HZF		
		DRAWING BY		
		LZX		
SCALE	NONE	REV.	A0	UNIT mm

NO.	REV.	REVISIONS	CHK	DATE
△A0		NEW RELEASE	HZF	02/04/2022