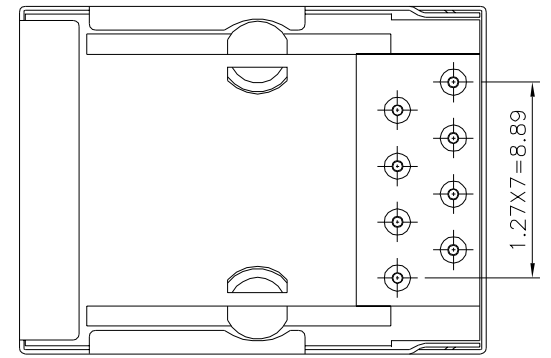
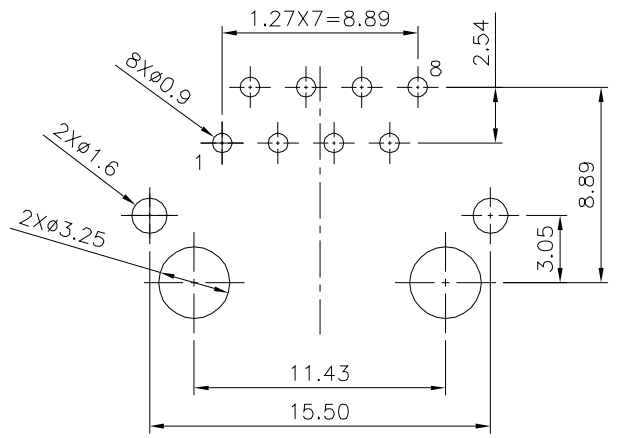


SPECIFICATION

Voltage Rating:125V AC RMS
 Current Rating:1.5 Amp
 Contact Resistance:20 Milliohms Max.
 Insulation Resistance:1000 Megaohms Min. @ 500V DC
 Dielectric Strength:1000V AC Or 1500V DC RMS @0.5mA
 50Hz Or 60Hz For 1 Minute
 Mating/Unmating Force:30N Max.
 Retention Strength:50N For 60S±5S
 Operating Life:750 Cycles Min.
 Storage Temperature:-40°C~+85°C
 Relative Humidity<80%
 Operation Temperature:-40°C~+85°C
 Housing&Insert:PBT(UL94V-0),Black
 Contact:Phosphor Bronze,∅0.46mm
 Gold Flash Over All,Over Nickel
 Shield:Brass,Nickel Plated Over All
 Mates With Modular Plug Conforming To FCC Part 68,
 Subpart F.
 RoHS Compliant



Recommended P.C.Board. Layout
 (PCB Board Tolerance±0.05)

4UCON 元化興業股份有限公司
 4UCON TECHNOLOGY INC.

DRAWING No.		APPROVED BY		UNLESS OTHERWISE SPECIFIED TOLERANCES ARE 0~15 ±0.15 15~30 ±0.20 30~50 ±0.25 50~ ±0.30 ANG. ±1°
22395		MEI		
		CHECKED BY	HZF	
		DRAWING BY	CYP	
SCALE	NONE	REV.	B0	UNIT
				mm

NO.	REV.	REVISIONS	CHK	DATE
△ B0		NEW RELEASE	HZF	05/17/2017