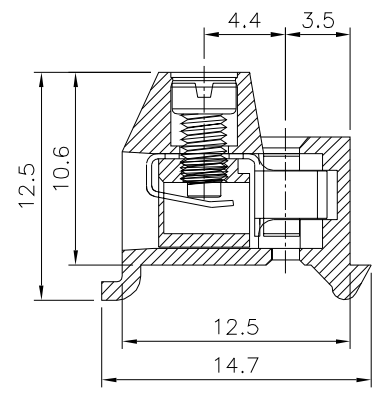
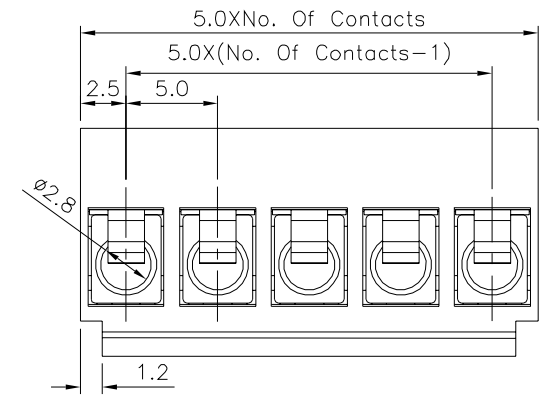
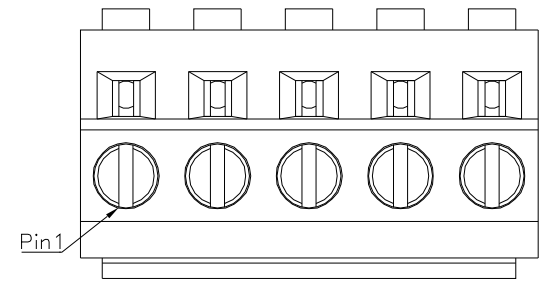


△ SPECIFICATION

Current Rating: 10A/Way Max.  
 Voltage Rating: 300V AC  
 Withstanding Voltage: 2500V AC/Minute  
 Contact Resistance: 20 Milliohms Max.  
 Wire Range: 14~26AWG  
 Torque: 4.0 kgf.cm/M2.5  
 Operating Temperature: -40°C~+105°C  
 Contact: Copper Alloy, Nickel Plated  
 Terminal Screw: Steel, Galvanized With Cr3+ Plated  
 Wire Guard: Copper Alloy, Tin Plated  
 Insulator Body: Polyamide (UL94V-0), Black  
 RoHS Compliant



**4UCON** 元化興業股份有限公司  
 4UCON TECHNOLOGY INC.

DRAWING No.		APPROVED BY		UNLESS OTHERWISE SPECIFIED TOLERANCES ARE X. ±0.50 .X ±0.30 .XX ±0.20 ANG. ±1°
22398		MEI		
		CHECKED BY	HZF	
		DRAWING BY	CYP	
SCALE	NONE	REV.	A1	UNIT mm

NO.	REV.	REVISIONS	CHK	DATE
△ A1		Modify Data	HZF	09/02/2024
△ A0		NEW RELEASE	HZF	02/21/2018