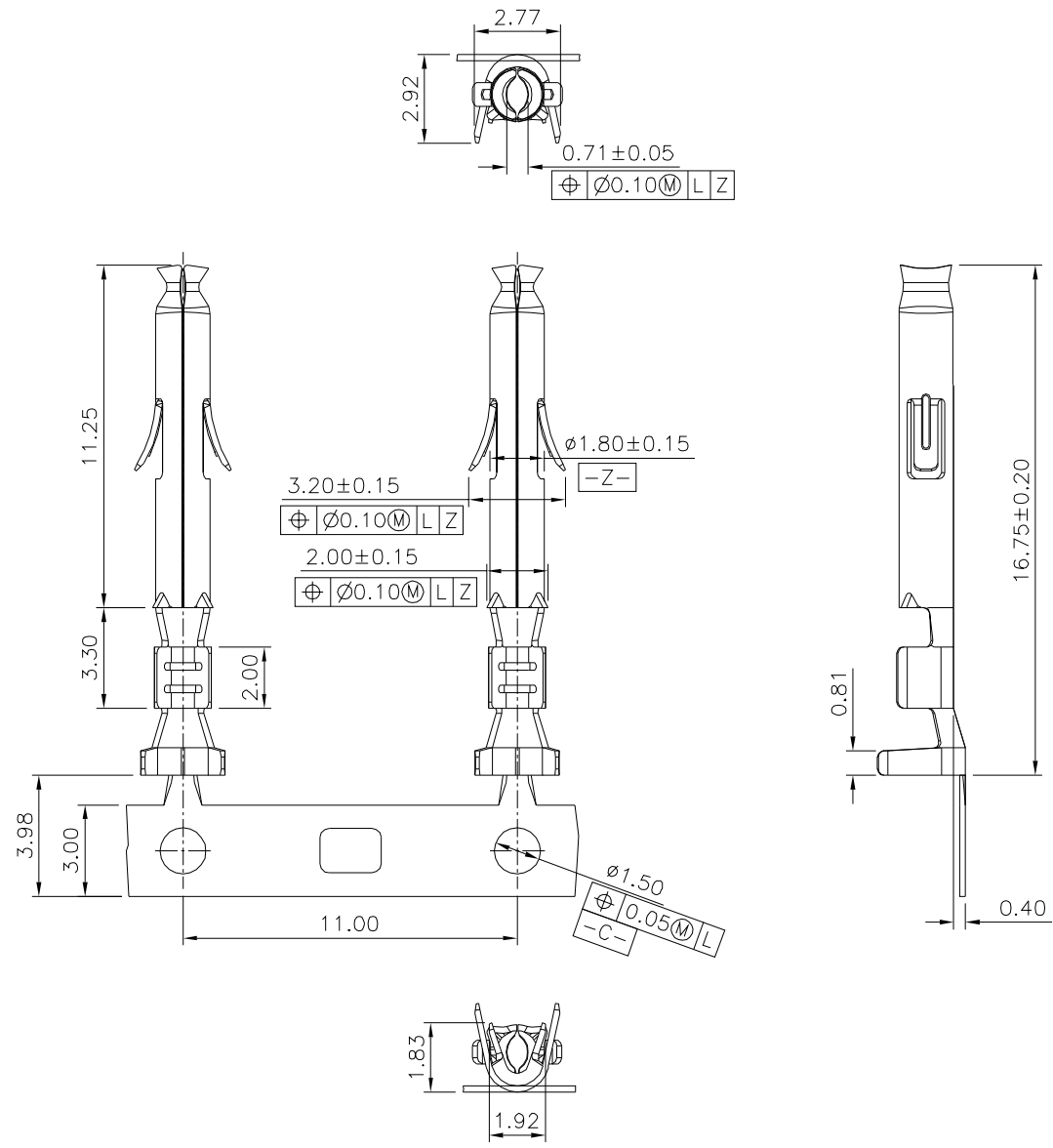


**SPECIFICATION**  
 Current Rating:7.0A  
 Applicable Wire:22AWG,24AWG  
 Insulator O.D:1.20~1.75  
 Operation Temperature:-20°C~+85°C  
 Contat:Brass,Tin Plated Over Nickel  
 Q'ty:6000 Pcs/Reel  
 RoHS Compliant



**4UCON** 元化興業股份有限公司  
 4UCON TECHNOLOGY INC.

DRAWING No.		APPROVED BY		UNLESS OTHERWISE SPECIFIED TOLERANCES ARE X. ±0.30 .X ±0.30 .XX ±0.30 ANG. ±3°
22435		EMILY		
		HZF		
		DRAWING BY		
		LZX		
SCALE	NONE	REV.	A0	UNIT
				mm

NO.	REV.	REVISIONS	CHK	DATE
△ A0		NEW RELEASE	HZF	05/09/2022