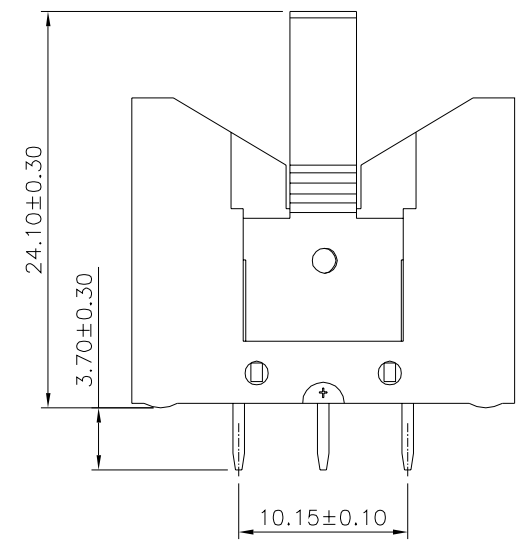
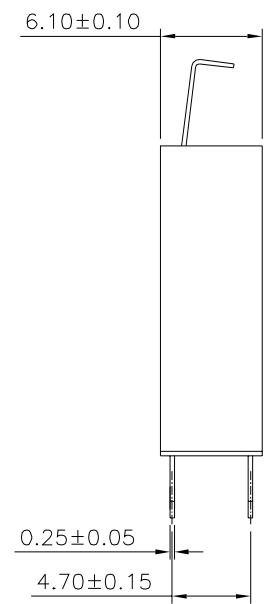
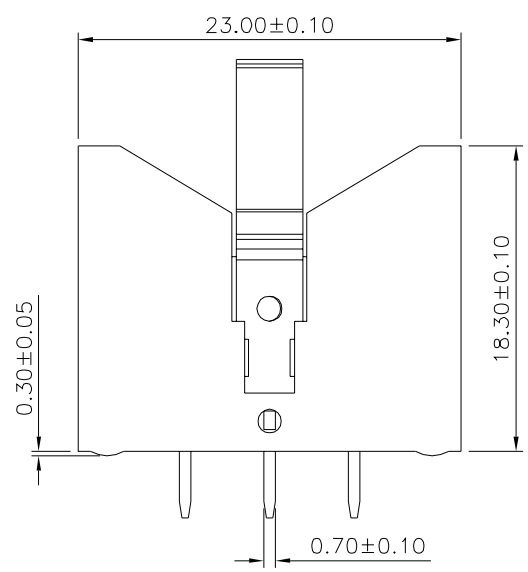
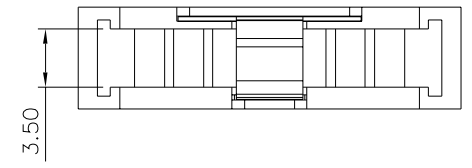


Recommended P.C.B. Layout(Top View)

SPECIFICATION
 Temperature Range: -30°C~+70°C
 Housing: PA66+30%G.F.(UL94V-0), Black
 Contact: Stainless Steel, Tin Plated Over Nickel
 RoHS Compliant



4UCON 元化興業股份有限公司
 4UCON TECHNOLOGY INC.

DRAWING No.		APPROVED BY		UNLESS OTHERWISE SPECIFIED TOLERANCES ARE X. ±0.38 .X ±0.25 .XX ±0.20 .XXX ±0.10
22444		MEI		
		CHECKED BY HZF		
DRAWING BY LZX				
SCALE	NONE	REV.	A0	UNIT mm

NO.	REV.	REVISIONS	CHK	DATE
△ A0		NEW RELEASE	HZF	05/28/2022