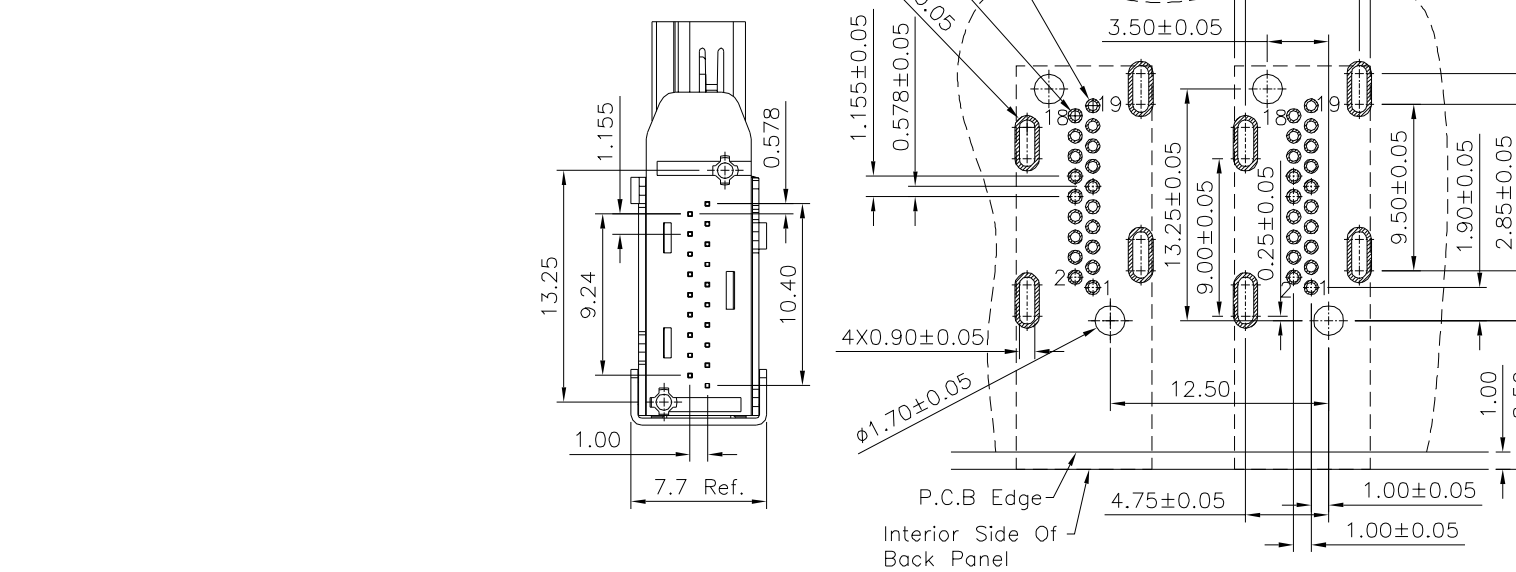
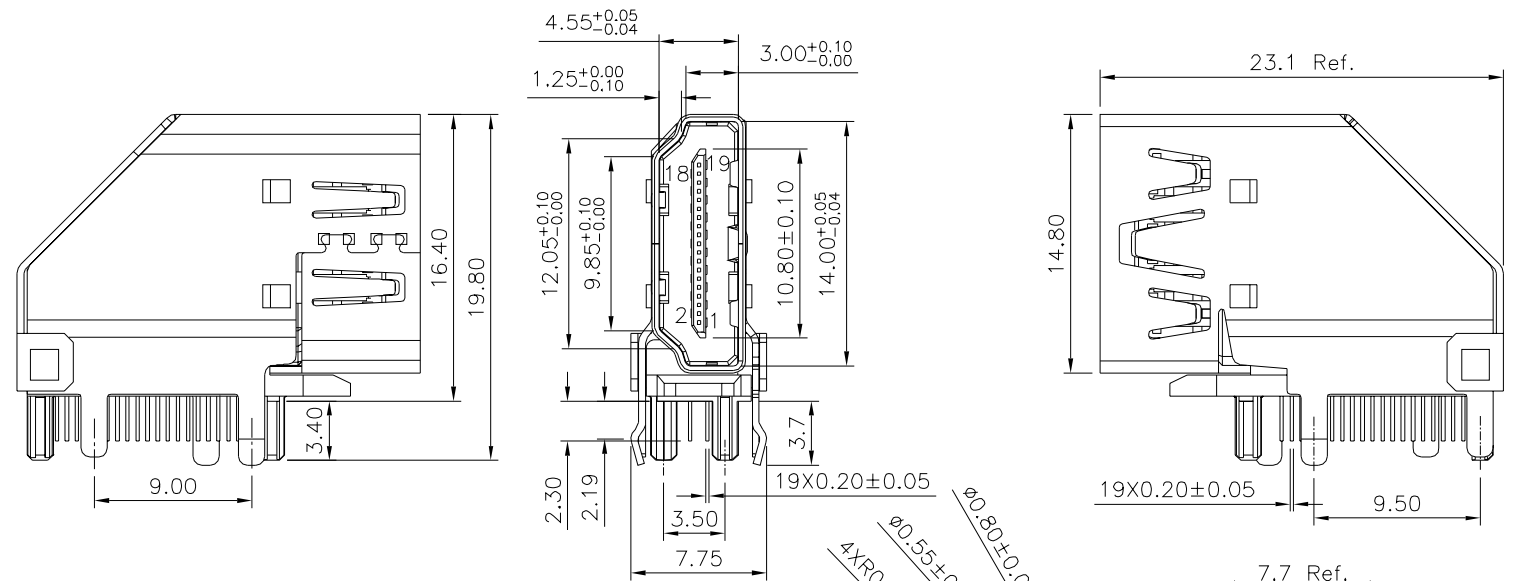


SPECIFICATION
 Current Rating:0.5Amp Per Contact
 Operation Voltage:40V AC Max.
 Contact Resistance:10 Milliohms Max.
 Insulation Resistance:100 Megaohms Min.
 Withstand Voltage:500V AC
 Operation Temperature:-55°C~+85°C
 Housing:PBT(UL94V-0),Black
 Spacer:PA46(UL94V-0),Black
 Contact:Brass,Gold Plated 15u" On
 Contact Area,Tin Plated On
 Solder Tails,Over Nickel
 Shell:Stainless Steel,Nickel Plated
 RoHS Compliant



Recommended P.C.B. Layout
 Component Side(Thickness=1.60mm)

| No. | Signal Name | No. | Signal Name |
|-----|--------------------|-----|---------------------------------------|
| 1 | TMDS Data 2+ | 11 | TMDS Clock Shield |
| 2 | TMDS Data 2 Shield | 12 | TMDS Clock - |
| 3 | TMDS Data 2- | 13 | CEC |
| 4 | TMDS Data 1+ | 14 | Reserved(In Cable But N.C. On Device) |
| 5 | TMDS Data 1 Shield | 15 | SCL |
| 6 | TMDS Data 1- | 16 | SDA |
| 7 | TMDS Data 0+ | 17 | DDC/CEC Ground |
| 8 | TMDS Data 0 Shield | 18 | +5V Power |
| 9 | TMDS Data 0- | 19 | Hot Plug Detect |
| 10 | TMDS Clock + | | |

4UCON 元化興業股份有限公司
 4UCON TECHNOLOGY INC.

| | | | | |
|-------------|------|-------------|-----|--|
| DRAWING No. | | APPROVED BY | | UNLESS OTHERWISE SPECIFIED TOLERANCES ARE .X ±0.35 .XX ±0.25 .XXX ±0.15 ANG. ±3° |
| 22515 | | MEI | | |
| | | CHECKED BY | HZF | |
| | | DRAWING BY | LZX | |
| SCALE | NONE | REV. | A0 | UNIT mm |

| | | | |
|----------|-------------|-----|------------|
| △ A0 | NEW RELEASE | HZF | 08/24/2022 |
| NO. REV. | REVISIONS | CHK | DATE |