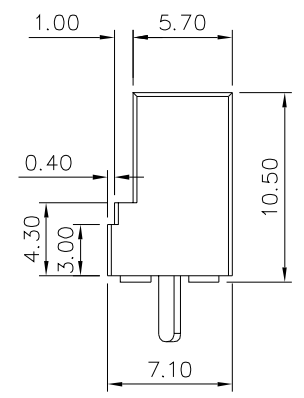
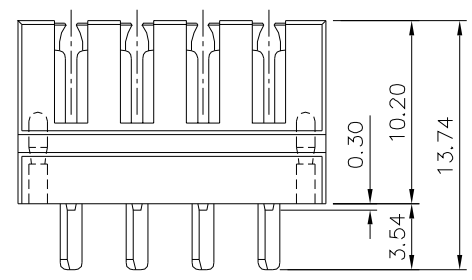
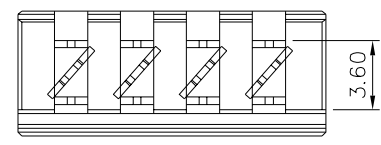
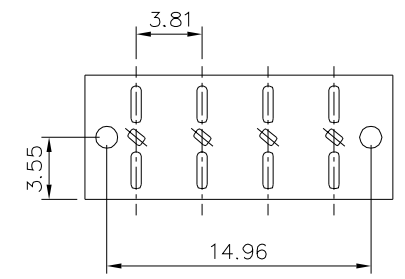
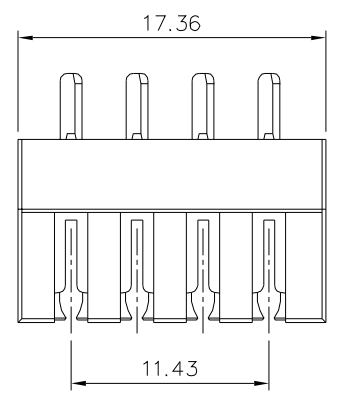


SPECIFICATIONS
 Material: PC+30% Glass Fiber UL 94V-0, White
 RoHS Compliant



4UCON 元化興業股份有限公司
 4UCON TECHNOLOGY INC.

DRAWING No.		APPROVED BY		UNLESS OTHERWISE SPECIFIED TOLERANCES ARE .X ±0.38 .XX ±0.25 ANG.
22527		MEI		
		CHECKED BY BECKY		
DRAWING BY		TCF		
SCALE	NONE	REV.	A0	UNIT mm

NO.	REV.	REVISIONS	CHK	DATE
△ A0		NEW RELEASE	BECKY	04/04/2006