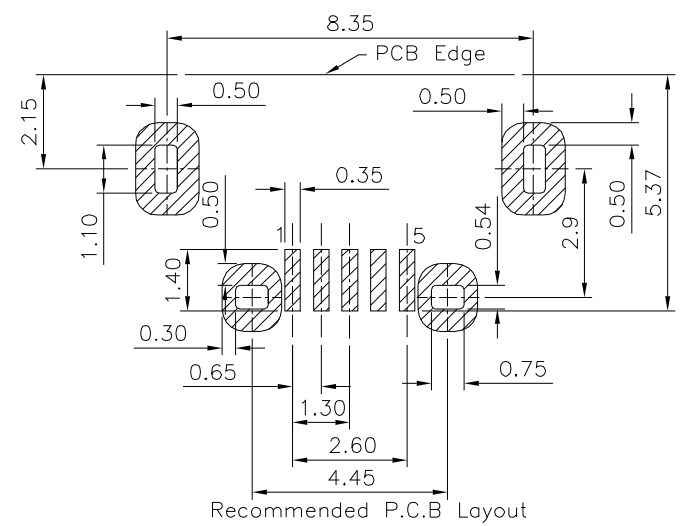
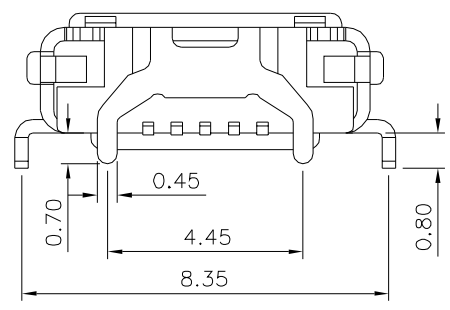
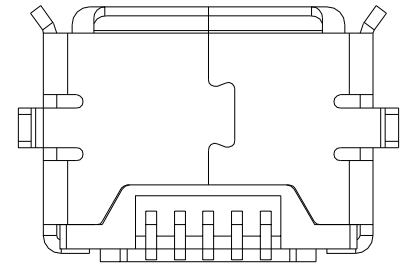
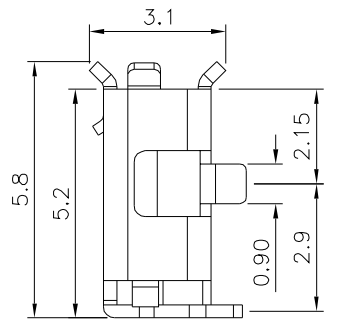
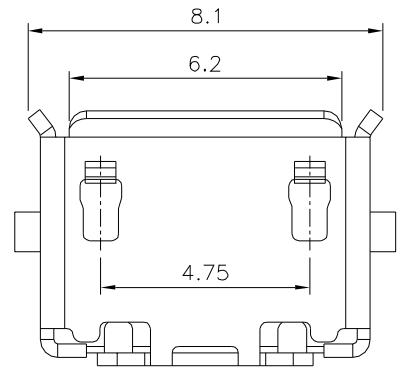
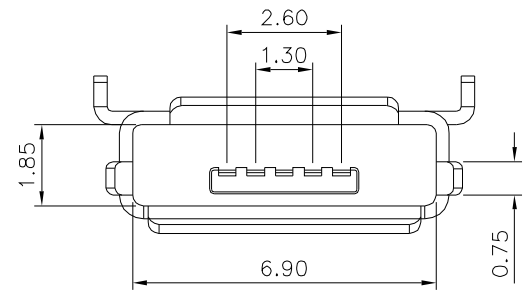


SPECIFICATION
 Current Rating:1,5Pin 1.8A Max. Other 1A Max.
 Insulation Resistance:100 Megaohms Min.
 Contact Resistance:30 Milliohms Max.
 Withstand Voltage:100V AC
 Total Mating Force:3.57 Kgf Max.
 Total Unmating Force:1.0 Kgf Min.
 Operation Temperature:-30°C~+80°C
 Housing:LCP+G.F.(UL94V-0),Black
 Contact:Brass,Gold Flash Over All,Over Nickel
 Shell:Stainless Steel,Matte Tin Plated
 RoHS Compliant



4UCON 元化興業股份有限公司
 4UCON TECHNOLOGY INC.

DRAWING No.		APPROVED BY		UNLESS OTHERWISE SPECIFIED TOLERANCES ARE
22588		MEI		
		CHECKED BY		
SCALE		REV.		.X ±0.25 X.* ±3°
NONE		A0		.XX ±0.15 .X.* ±2°
				.XXX ±0.10 .XX.* ±1°
				UNIT

NO.	REV.	DESCRIPTION	CHK	DATE
△ A0		NEW RELEASE	HZF	03/14/2023
		REVISIONS		