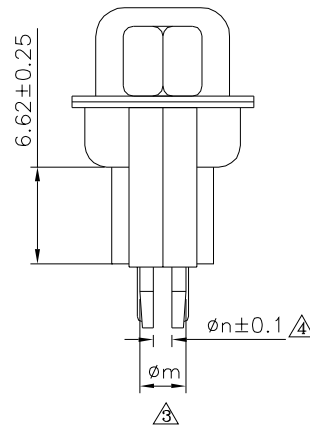
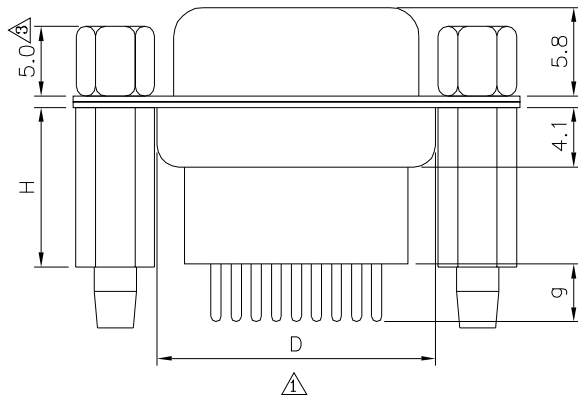
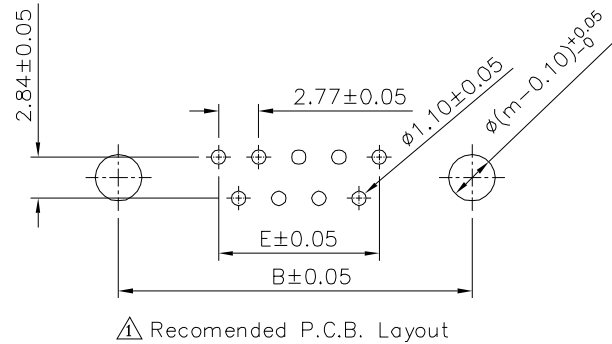
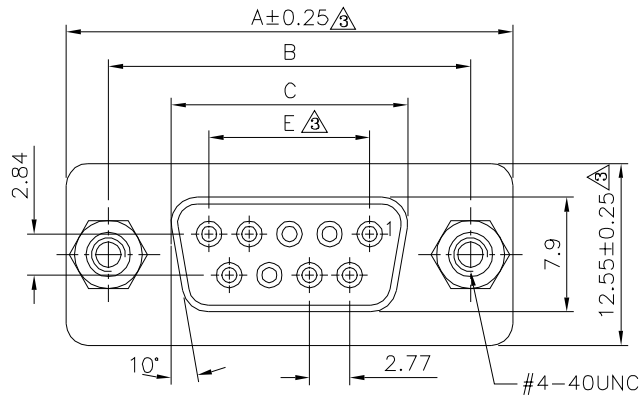


**△ SPECIFICATION**

Current Rating:3 Amp  
 Voltage Rating:250V AC/RMS 60Hz  
 △ Contact Resistance:20 Milliohms Max.  
 At 1A DC  
 Insulation Resistance:1000 Megaohms At 500V DC  
 Dielectric Withstanding Voltage:1000V AC/RMS 60Hz  
 For 1 Minute  
 Insulator:PBT+G.F.(UL94V-0),Black  
 Contact:Brass  
 Gold Flash On Contact Area,  
 Tin Plated On Solder Tails,Over Nickel  
 Shell:Steel,Tin Plated Over Copper  
 Boardlock:Brass,Tin Plated  
 △ Screwlock:Steel,Nickel Plated  
 RoHS Compliant



Pin	A	B	C	D	E
9	30.81	24.99	16.33	19.20	11.08
15	39.20	33.30	24.70	27.70	19.39
25	53.05	47.04	38.40	41.10	33.24
37	69.40	63.50	55.80	57.30	49.86

△	Item No.	H	g	m	n
△	22609	11.1	3.6	3.0	1.5
	21685	9.6	3.6	3.2	1.8

**4UCON** 元化興業股份有限公司  
 4UCON TECHNOLOGY INC.

DRAWING No. △

22609

SCALE

NONE

REV.

B4

UNIT



APPROVED BY

MEI

CHECKED BY

HZF

DRAWING BY

GAO

UNLESS OTHERWISE SPECIFIED TOLERANCES ARE

△ X. ±0.38 X.\* ±3\*  
 .X ±0.25 .X\* ±1\*  
 .XX ±0.13

△ B4 Modify Data

HZF 09/14/2022

△ B3 Modify Data

HZF 05/27/2021

△ B2 Modify Data

HZF 04/19/2013

△ B1 Modify Data

HZF 08/05/2010

△ B0 NEW RELEASE

HZF 05/20/2009

NO. REV.

REVISIONS

CHK

DATE