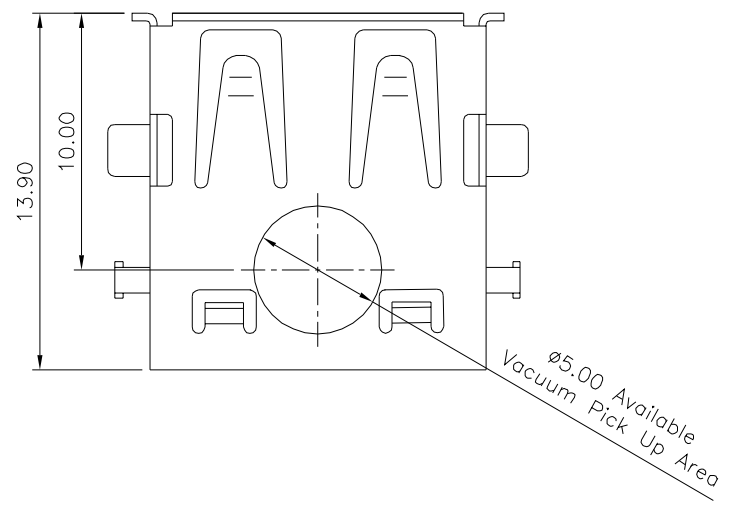
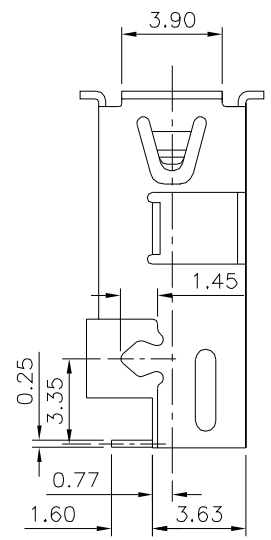
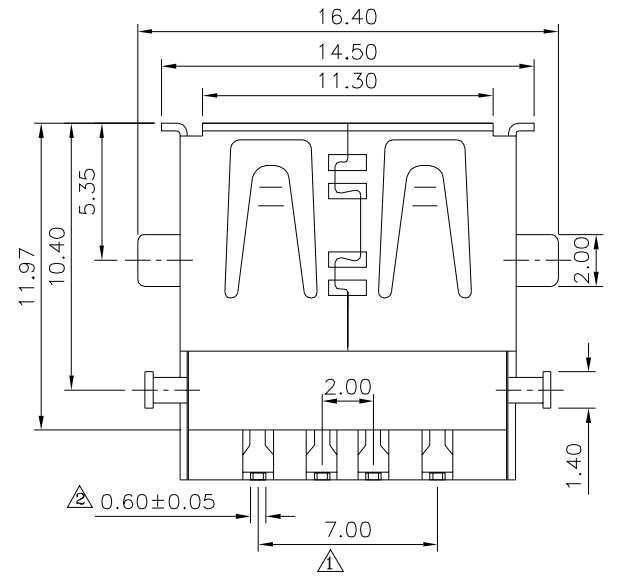


**△ SPECIFICATION**  
 Current:1.5A Max.  
 Voltage:30V Max.  
 Withstanding Voltage:500V AC  
 Contact Resistance:30 Milliohms Max.  
 Insulation Resistance:1000 Megaohms Min.  
 Temperature Range:-55°C~+85°C  
 Mating Force:35N Max.  
 Withdrawal Force:10N~35N  
 Durability:5000 Cycles Min.  
 Insulator:LCP+30%G.F.(UL94V-0),Black  
 Contact:Phosphor Bronze  
 Gold Flash On Contact Area,  
 Tin Plated On Solder Tails,Over Nickel  
 Shell:Stainless Steel,Nickel Plated Over All  
 RoHS Compliant

Recommended P.C.B. Layout(Component Side)  
 Thickness:1.20mm(PCB Board Tolerance±0.05)



**4UCON** 元化興業股份有限公司  
 4UCON TECHNOLOGY INC.

DRAWING No.		APPROVED BY		UNLESS OTHERWISE SPECIFIED TOLERANCES ARE .X ±0.38 .X* ±2* .XX ±0.25 .XX* ±1* .XXX ±0.13 .XXX* ±0.5*
22617		EMILY		
		CHECKED BY HZF		
DRAWING BY HAO		UNIT		
SCALE	NONE	REV.	A2	

NO.	REV.	REVISIONS	CHK	DATE
△	A2	Modify Data	HZF	06/23/2021
△	A1	Modify Data	HZF	12/04/2014
△	A0	NEW RELEASE	HZF	06/02/2011