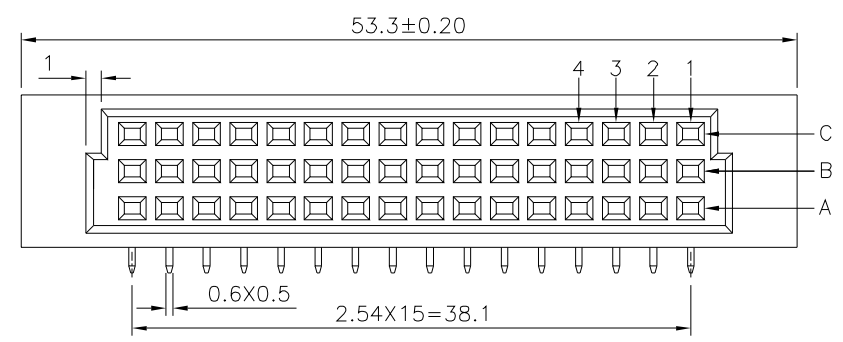
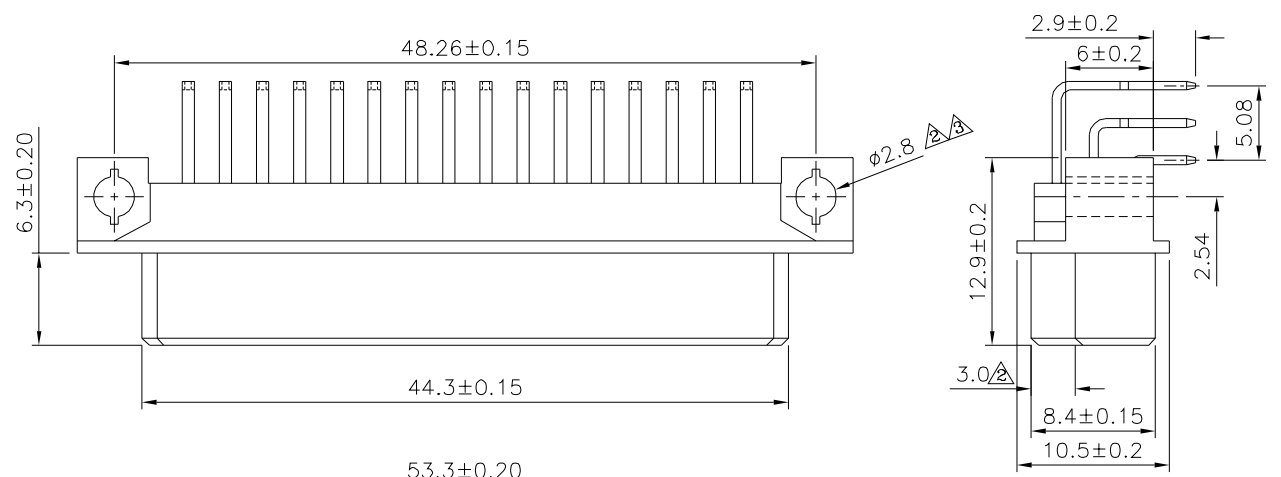
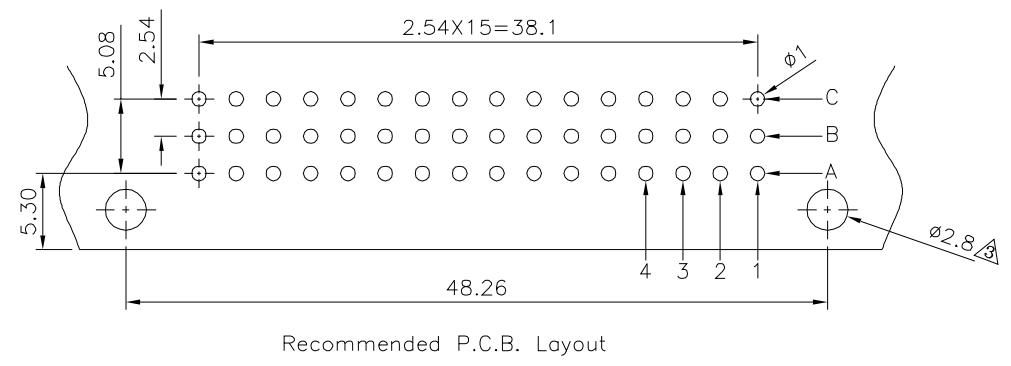


**SPECIFICATION**

Current Rating:2 Amp  
 Withstand Voltage:1000V AC For 1 Minute  
 Contact Resistance:30 Milliohms Max. At 100mA DC  
 Insulation Resistance:1000 Megaohms Min. At 500V DC  
 Operation Temperature:-55°C~+105°C  
 ⚠ Insulator:PBT+30%G.F.(UL94V-0),Gray  
 ⚠ Contact:C2680-H,Gold Flash On Contact Area,  
 Tin Plated On Solder Tails,Over Nickel  
 RoHS Compliant



**4UCON** 元化興業股份有限公司  
 4UCON TECHNOLOGY INC.

DRAWING No.   
**22632**  
 SCALE NONE REV. A4

APPROVED BY MEI  
 CHECKED BY HZF  
 DRAWING BY CYP

UNLESS OTHERWISE SPECIFIED TOLERANCES ARE  
 ⚠ .X ±0.15 X.\* ±3\*  
 .XX ±0.10 .X.\* ±2\*  
 .XXX ±0.05 .XX.\* ±1\*  
 UNIT mm

|          |             |       |            |
|----------|-------------|-------|------------|
| ⚠ A4     | Modify Data | HZF   | 03/29/2016 |
| ⚠ A3     | Modify Data | HZF   | 06/06/2014 |
| ⚠ A2     | Modify Data | HZF   | 12/27/2012 |
| ⚠ A1     | Modify Data | BECKY | 08/03/2006 |
| ⚠ A0     | NEW RELEASE | BECKY | 07/19/2004 |
| NO. REV. | REVISIONS   | CHK   | DATE       |